

It all hinges on excellence.

SIMONSWERK

ANSELMI

The concealed hinge system
for residential doors



Contents

Model versions for unrebuted residential doors from 40 kg to 80 kg

12	AN 140 3D	up to 40 kg	
13	AN 140 3D ALU	up to 40 kg	aluminium framed doors
14	AN 142 3D	up to 40 kg	with central milling
15	AN 160 3D	up to 60 kg	
16	AN 160 3D ALU	up to 60 kg	aluminium framed doors
17	AN 180 3D	up to 80 kg	

Model versions for doors with recessed frame facings from 12-14 mm

20	AN 141 3D FVZ 12/38	up to 40 kg	with 12 mm recessed frame facings	38 mm door thickness
21	AN 141 3D FVZ 12/45	up to 40 kg	with 12 mm recessed frame facings	45 mm door thickness
22	AN 141 3D FVZ 14/40	up to 40 kg	with 14 mm recessed frame facings	40 mm door thickness
23	AN 141 3D FVZ 14/44	up to 40 kg	with 14 mm recessed frame facings	44 mm door thickness
24	AN 161 3D FVZ 12/38	up to 60 kg	with 12 mm recessed frame facings	38 mm door thickness
25	AN 161 3D FVZ 12/45	up to 60 kg	with 12 mm recessed frame facings	45 mm door thickness
26	AN 164 3D FVZ 12/38	up to 60 kg	with 12 mm recessed frame facings	38 mm door thickness
27	AN 164 3D FVZ 14/40	up to 60 kg	with 14 mm recessed frame facings	40 mm door thickness

Model versions for doors with reduced hinge frame part

30	AN 130 2D	up to 20 kg	
31	AN 150 3D	up to 40 kg	
32	AN 150 3D ALU	up to 40 kg	aluminium framed doors
33	AN 150 3D 28	up to 40 kg	28 mm door thickness
34	AN 150 3D 40	up to 40 kg	40 mm door thickness
35	AN 150 3D 44	up to 40 kg	44 mm door thickness
36	AN 170 3D	up to 60 kg	
37	AN 170 3D ALU	up to 60 kg	aluminium framed doors
38	AN 170 3D 40	up to 60 kg	40 mm door thickness
39	AN 170 3D 44	up to 60 kg	44 mm door thickness
40	AN 172 3D	up to 60 kg	38–45 mm door thickness

Model versions with integrated closing function

44	AN 107 3D C40	closing power 20–40 kg	
45	AN 107 3D C60	closing power 40–60 kg	
46	AN 108 3D SC45	closing power 45 kg	integrated damping function

48 **Routing data**

57 **Application accessories**

59 **Accessories**

60 **Finishes**

ANSELM

The concealed hinge system for residential doors

The extensive range of ANSELM hinge systems offers high quality solutions for light interior doors. The concealed hinge systems are suitable mostly for interior residential doors as well as for internal doors up to 80 kg. Available in different model versions and a variety of finishes, they meet the highest requirements and offer functionality and timeless elegance to the door.

It goes without saying that all hinges of the product brand are 3D adjustable and have a maintenance-free slide bearing technology which guarantees comfortable and long-lasting operation.

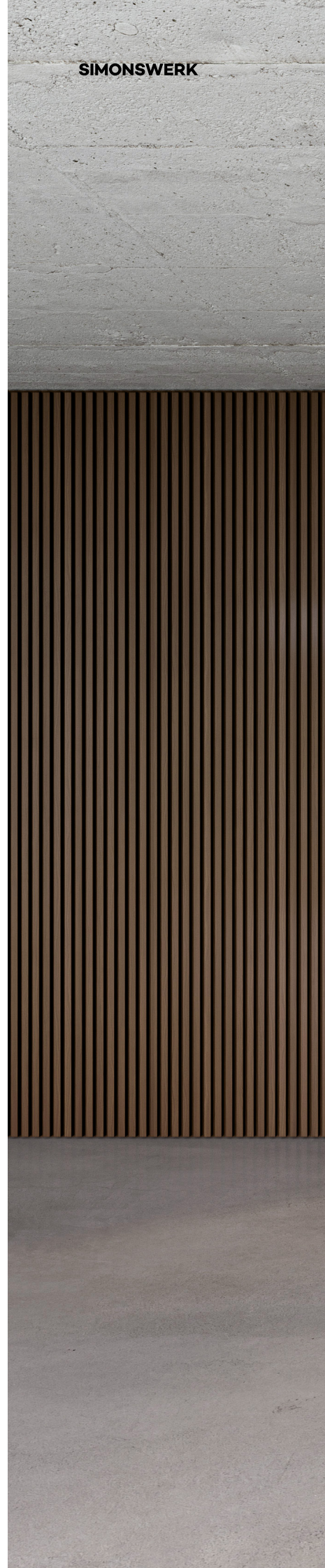


Versatile model versions for special requirements

ANSELM offers different model versions for special requirements. Especially for minimalist design, which increasingly determines architecture with clear forms and restrained design, the models of the ANSELM product brand for doors with a reduced hinge frame part and recessed frame facings of 12 – 14 mm as well as for unrebated doors offer optimal possibilities.

Thanks to the FVZ models of ANSELM the door frame can disappear behind a drywall or woodwork leaving just the essence of the door visible to the eyes. Model versions with reduced hinge frame part allow the installation of frame architrave without any additional operation on-site, while the central milling on the door panel offers a complete reversibility of the door, that can be used for left and right as well as for inward and outward opening.

The ANSELM SC self-closing hinge system offers additional comfort. Thanks to a damper, installed inside the system, the door rotates with a controlled and constant speed until it closes. Fully integrated inside the hinge, ANSELM SC is invisible when the door is mounted, preserving an overall clean and elegant aesthetic. The closing force, adjustable frontally and with the door installed, can be set individually and easily according to the needs and adjusted if necessary.







A comprehensive design range with 13 finishes

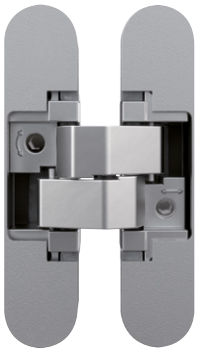
The hinge systems of the ANSELM product brand are available in thirteen convincing finishes. This enables a wide range of applications. The hinges can be coordinated with the architectural concept and the built-in components to create a harmonious whole. When closed, they blend completely into the background, but when the door is open, they set impressive accents.

From elegant chrome to expressive bronze to a striking anthracite – all hinge systems from ANSELM lend a perfect appearance to every interior door with the highest quality and perfect finishes.

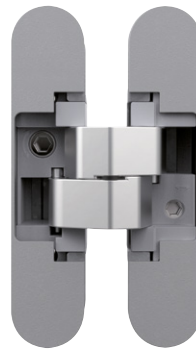


Product Overview

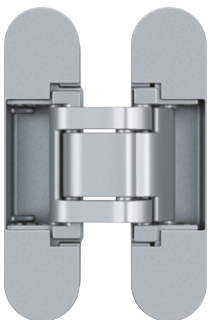
The ANSELM range offers concealed hinge systems for interior residential doors up to 80 kg. Here is an overview of the model versions.



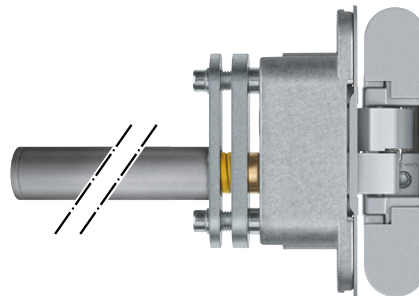
Model versions for unrebated residential doors from 40 kg to 80 kg



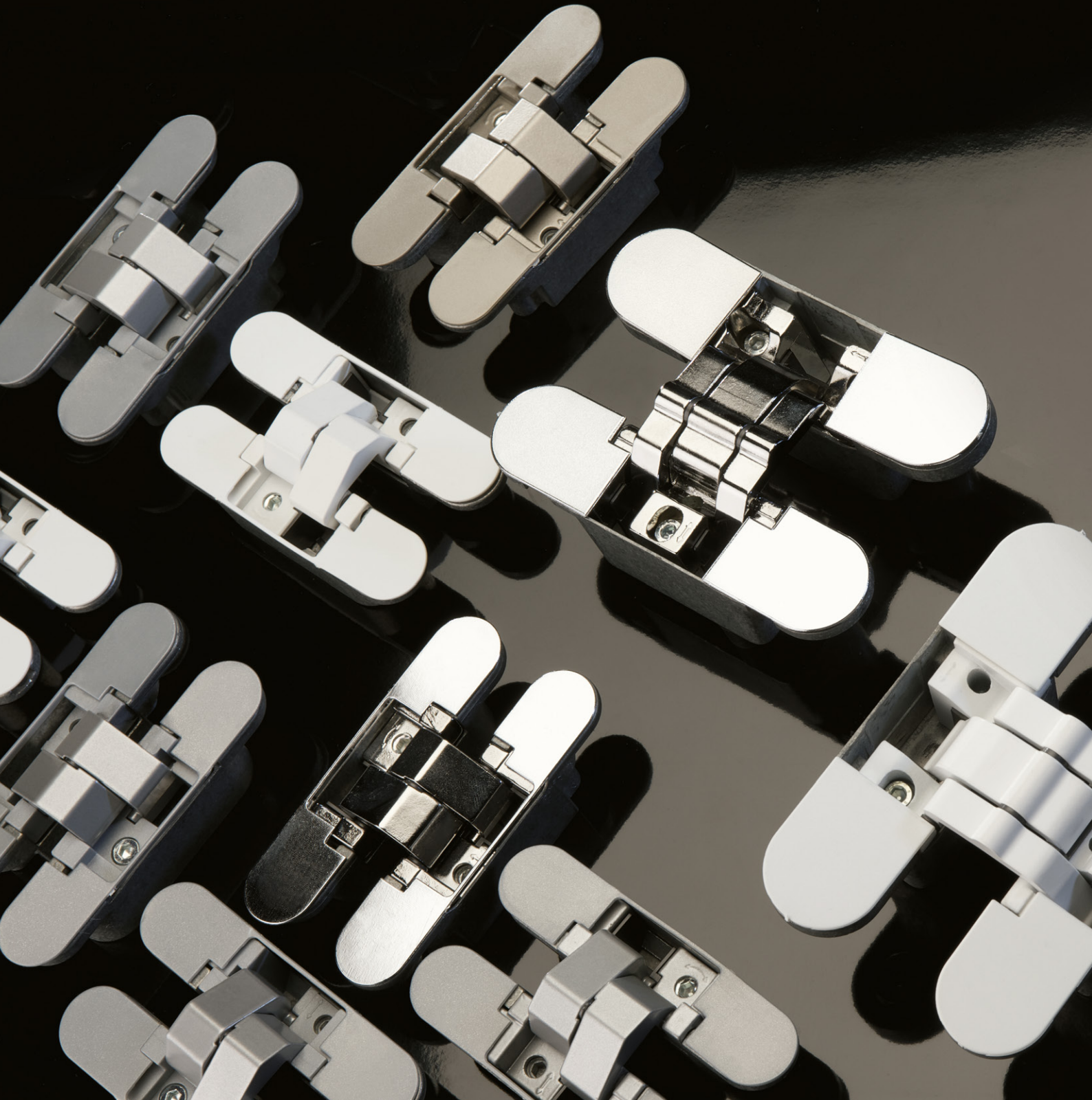
Model versions for doors with reduced hinge frame part

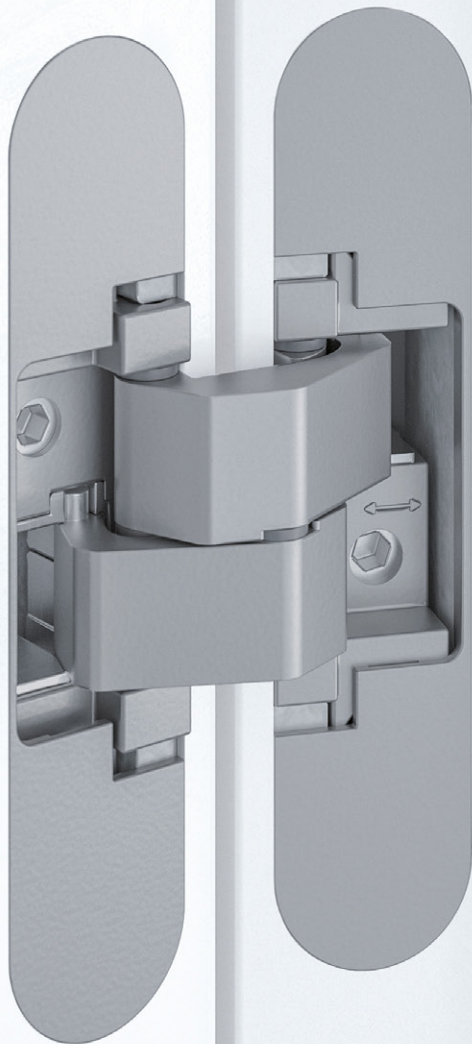


Model versions for doors with recessed frame facings from 12 mm to 14 mm



Model versions with integrated closing function





Model versions for unrebated residential doors

- completely concealed
- for unrebated residential doors
- versions for aluminium framed doors
- load capacities up to 80 kg
- opening angle 180°

ANSELMI

AN 140 3D

for unrebated residential doors up to 40 kg

hinge up to 40 kg

Product features

- completely concealed hinge system
- for timber and aluminium frames
- for unrebated residential doors
- 3D adjustable (side +/- 1.5 mm, height +/- 2.5 mm, compression +/- 1.0 mm)
- material zamak / acetal

Technical details

load capacity	i 2 hinges per door leaf (900x2100 mm)	40.0 kg
overall length		110.0 mm
width (frame)		24.0 mm
width (door)		24.0 mm
cutter diameter		14.0 or 16.0 mm
collar ring diameter		25.0 or 27.0 mm
opening angle		180°

Finish

Satin Chrome (AN 014), Black (AN 018), Antique Bronze (AN 035), Aluminium Chrome (AN 036), Polished Brass (AN 037), Polished Chrome (AN 039), Satin Nickel (AN 044), RAL 9016 Traffic White (AN 049)

Combination

receiver casing frame AN 140 3D FZ

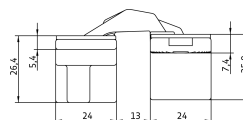
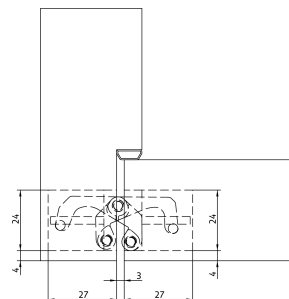
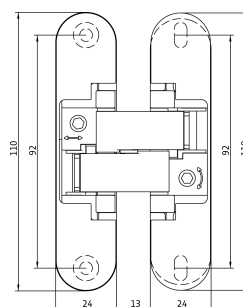
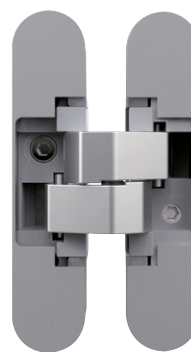
Note

i The load capacity mentioned above refers to the use of 2 hinges per door leaf (900 x 2100 mm).

Suggested screws:

Frame side: Countersunk head screws DIN 7505 A, Diameter 4.5 mm

Door side: Pan head screws DIN 7505 B, Diameter 4.5 mm



ANSELMI

AN 140 3D ALU

for unrebated residential doors with aluminium frames up to 40 kg



hinge	aluminium framed doors	up to 40 kg
-------	------------------------	-------------

Product features

- completely concealed hinge system
- for timber and aluminium frames
- for unrebated residential doors with aluminium frames
- 3D adjustable (side +/- 1.5 mm, height +/- 1.5 mm, compression +/- 1.0 mm)
- material zamak / acetal

Technical details

load capacity	i 2 hinges per door leaf (900x2100 mm)	40.0 kg
overall length		110.0 mm
width (frame)		24.0 mm
width (door)		24.0 mm
cutter diameter		14.0 or 16.0 mm
collar ring diameter		25.0 or 27.0 mm
opening angle		180°

Finish

Satin Chrome (AN 014), Black (AN 018), Antique Bronze (AN 035), Aluminium Chrome (AN 036), Polished Brass (AN 037), Polished Chrome (AN 039), Satin Nickel (AN 044), RAL 9016 Traffic White (AN 049)

Combination

receiver	casing frame	AN 140 3D FZ
----------	--------------	--------------

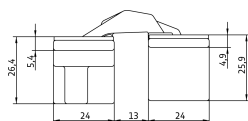
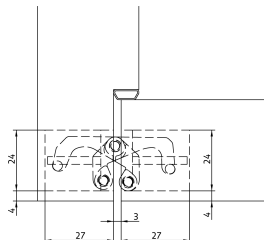
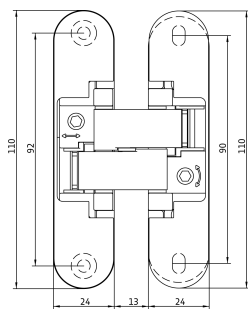
Note

i The load capacity mentioned above refers to the use of 2 hinges per door leaf (900 x 2100 mm).

Suggested screws:

Frame side: Countersunk head screws DIN 7505 A, Diameter 4.5 mm

Door side: Countersunk head screws DIN 7505 A, Diameter 4.5 mm



ANSELMI

AN 142 3D

for unrebated residential doors with central installation up to 40 kg

hinge up to 40 kg

Product features

- completely concealed hinge system
- for timber and aluminium frames
- for unrebated residential doors
- 3D adjustable (side +/- 1.5 mm, height +/- 2.5 mm, compression +/- 1.0 mm)
- central installation
- door thicknesses 35-45 mm
- material zamak / acetal

Technical details

load capacity	i 2 hinges per door leaf (900x2100 mm)	40.0 kg
overall length		144.0 mm
width (frame)		27.0 mm
width (door)		27.0 mm
cutter diameter		14.0 or 16.0 mm
collar ring diameter		25.0 or 27.0 mm
opening angle		180°

Finish

Satin Chrome (AN 014), Black (AN 018), Antique Bronze (AN 035), Aluminium Chrome (AN 036), Polished Brass (AN 037), Polished Chrome (AN 039), Satin Nickel (AN 044), RAL 9016 Traffic White (AN 049)

Note

i The load capacity mentioned above refers to the use of 2 hinges per door leaf (900 x 2100 mm).

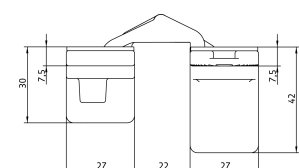
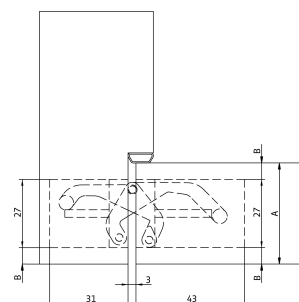
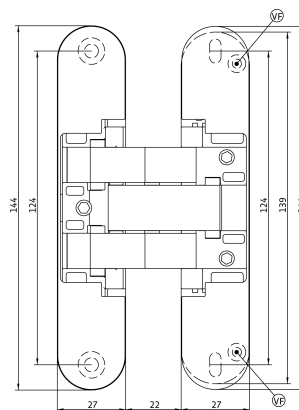
Suggested screws:

Frame side: Countersunk head screws DIN 7505 A, Diameter 4.5 mm

Door side: Pan head screws DIN 7505 B, Diameter 4.5 mm

If necessary, it is possible to lock the vertical adjustment of the hinge by means of a vertical adjustment screw (VF).

The central installation applies for door thicknesses between 35 mm and 45 mm. The routing position (B) is always the difference between the door thickness (A) and the hinge width of 27 mm divided by two.



ANSELMI

AN 160 3D

for unrebated residential doors up to 60 kg



hinge		up to 60 kg
-------	--	-------------

Product features

- completely concealed hinge system
- for timber and aluminium frames
- for unrebated residential doors
- 3D adjustable (side +/- 1.5 mm, height +/- 2.5 mm, compression +/- 1.0 mm)
- material zamak

Technical details

load capacity	i 2 hinges per door leaf (900x2100 mm)	60.0 kg
overall length		110.0 mm
width (frame)		24.0 mm
width (door)		24.0 mm
cutter diameter		14.0 or 16.0 mm
collar ring diameter		25.0 or 27.0 mm
opening angle		180°

Finish

Rustic Umber (AN 012), Satin Chrome (AN 014), Light Bronze (AN 016), Black (AN 018), Antique Bronze (AN 035), Aluminium Chrome (AN 036), Polished Brass (AN 037), Polished Chrome (AN 039), Satin Nickel (AN 044), RAL 9016 Traffic White (AN 049), Anthracite (AN 050), Medium Bronze (AN 051), Copper (AN 052)

Combination

receiver	casing frame	AN 140 3D FZ
----------	--------------	--------------

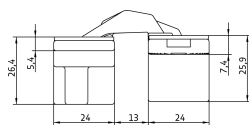
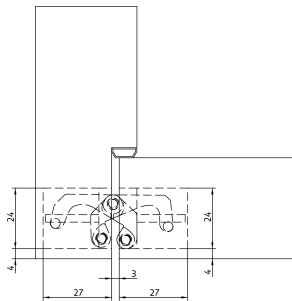
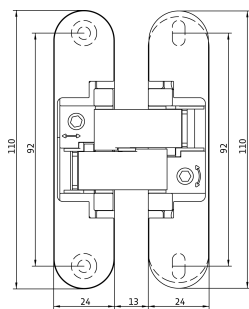
Note

i The load capacity mentioned above refers to the use of 2 hinges per door leaf (900 x 2100 mm).

Suggested screws:

Frame side: Countersunk head screws DIN 7505 A, Diameter 4.5 mm

Door side: Pan head screws DIN 7505 B, Diameter 4.5 mm



ANSELMI

AN 160 3D ALU

for unrebated residential doors with aluminium frames up to 60 kg

hinge	aluminium framed doors	up to 60 kg
-------	------------------------	-------------

Product features

- completely concealed hinge system
- for timber and aluminium frames
- for unrebated residential doors with aluminium frames
- 3D adjustable (side +/- 1.5 mm, height +/- 1.5 mm, compression +/- 1.0 mm)
- material zamak

Technical details

load capacity	i 2 hinges per door leaf (900x2100 mm)	60.0 kg
overall length		110.0 mm
width (frame)		24.0 mm
width (door)		24.0 mm
cutter diameter		14.0 or 16.0 mm
collar ring diameter		25.0 or 27.0 mm
opening angle		180°

Finish

Satin Chrome (AN 014), Black (AN 018), Antique Bronze (AN 035), Aluminium Chrome (AN 036), Polished Brass (AN 037), Polished Chrome (AN 039), Satin Nickel (AN 044), RAL 9016 Traffic White (AN 049)

Combination

receiver	casing frame	AN 140 3D FZ
----------	--------------	--------------

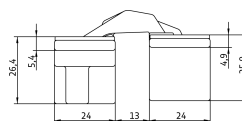
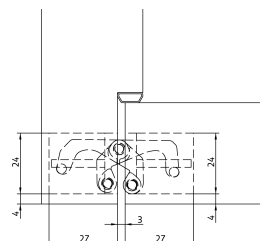
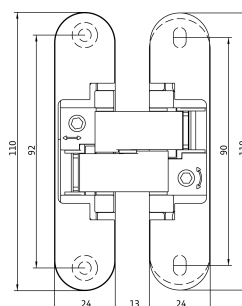
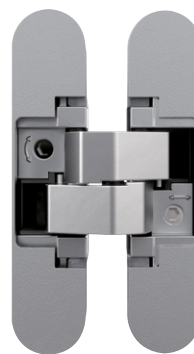
Note

i The load capacity mentioned above refers to the use of 2 hinges per door leaf (900 x 2100 mm).

Suggested screws:

Frame side: Countersunk head screws DIN 7505 A, Diameter 4.5 mm

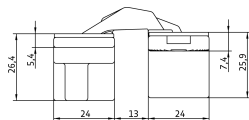
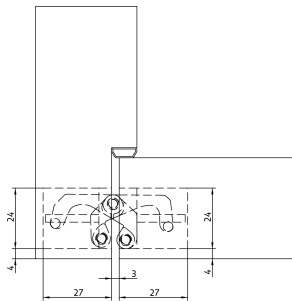
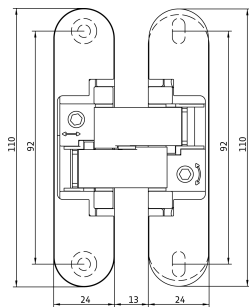
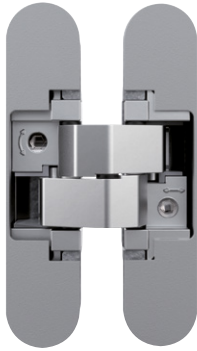
Door side: Countersunk head screws DIN 7505 A, Diameter 4.5 mm



ANSELMI

AN 180 3D

for unrebated residential doors up to 80 kg



hinge		up to 80 kg
-------	--	-------------

Product features

- completely concealed hinge system
- for timber and aluminium frames
- for unrebated residential doors
- 3D adjustable (side +/- 1.5 mm, height +/- 2.5 mm, compression +/- 1.0 mm)
- material zamak / steel

Technical details

load capacity	i 2 hinges per door leaf (900x2100 mm)	80.0 kg
overall length		110.0 mm
width (frame)		24.0 mm
width (door)		24.0 mm
cutter diameter		14.0 or 16.0 mm
collar ring diameter		25.0 or 27.0 mm
opening angle		180°

Finish

Rustic Umber (AN 012), Satin Chrome (AN 014), Light Bronze (AN 016), Black (AN 018), Antique Bronze (AN 035), Aluminium Chrome (AN 036), Polished Brass (AN 037), Polished Chrome (AN 039), Satin Nickel (AN 044), RAL 9016 Traffic White (AN 049), Anthracite (AN 050), Medium Bronze (AN 051), Copper (AN 052)

Combination

receiver	casing frame	AN 140 3D FZ
----------	--------------	--------------

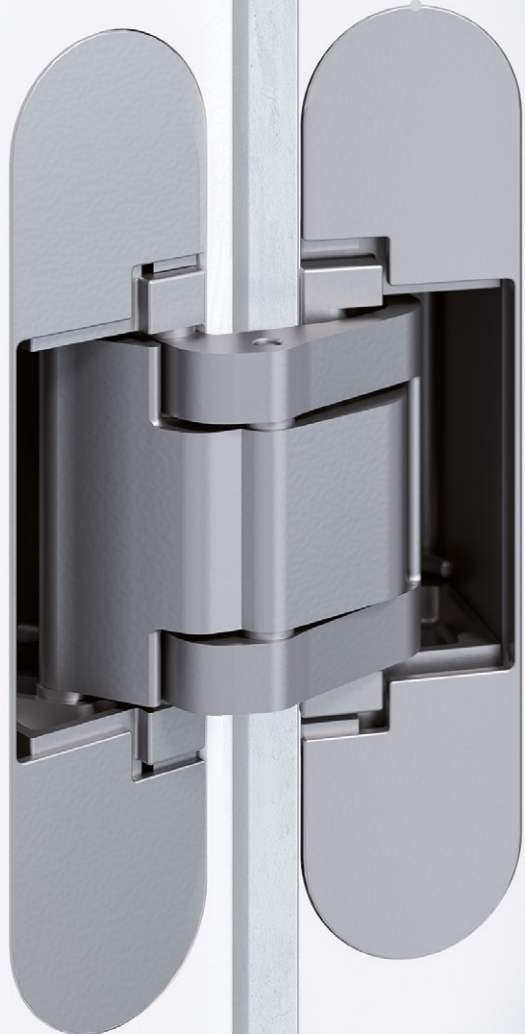
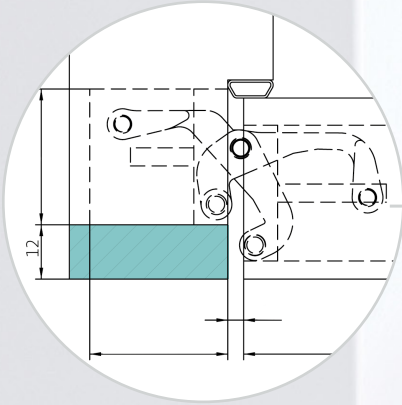
Note

i The load capacity mentioned above refers to the use of 2 hinges per door leaf (900 x 2100 mm).

Suggested screws:

Frame side: Countersunk head screws DIN 7505 A, Diameter 4.5 mm

Door side: Pan head screws DIN 7505 B, Diameter 4.5 mm



Model versions for doors with recessed frame facings

- 12 mm and 14 mm recessed frame facings
- 38 – 45 mm door thicknesses
- central milling
- load capacities up to 60 kg
- opening angle 180°

ANSELMI

AN 141 3D FVZ 12/38

for unrebeated 38 mm thick residential doors with 12 mm recessed frame facings up to 40 kg

hinge	recessed frame facings	up to 40 kg
-------	------------------------	-------------

Product features

- FVZ = recessed frame facings
- recessed frame facings up to 12.0 mm
- door thickness 38 mm
- completely concealed hinge system
- for timber and aluminium frames
- for unrebeated residential doors
- 3D adjustable (side +/- 1.5 mm, height +/- 2.5 mm, compression +/- 1.0 mm)
- central installation
- material zamak / acetal

Technical details

load capacity	i 2 hinges per door leaf (900x2100 mm)	40.0 kg
overall length		130.0 mm
width (frame)		28.0 mm
width (door)		30.0 mm
cutter diameter		14.0 or 16.0 mm
collar ring diameter		25.0 or 27.0 mm
opening angle		180°

Finish

Satin Chrome (AN 014), Black (AN 018), Antique Bronze (AN 035), Aluminium Chrome (AN 036), Polished Brass (AN 037), Polished Chrome (AN 039), Satin Nickel (AN 044), RAL 9016 Traffic White (AN 049)

Note

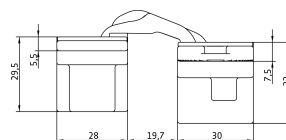
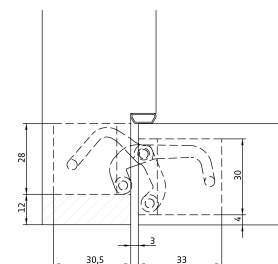
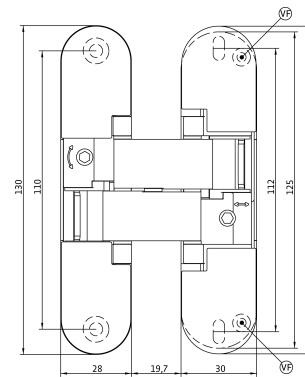
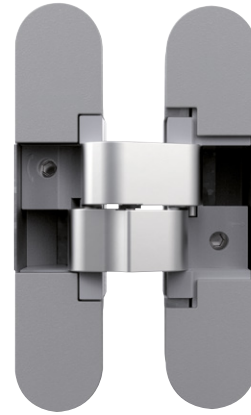
i The load capacity mentioned above refers to the use of 2 hinges per door leaf (900 x 2100 mm).

Suggested screws:

Frame side: Countersunk head screws DIN 7505 A, Diameter 5 mm

Door side: Pan head screws DIN 7505 B, Diameter 4 mm

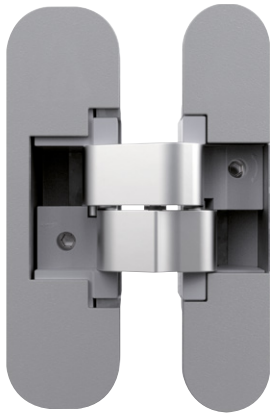
If necessary, it is possible to lock the vertical adjustment of the hinge by means of a vertical adjustment screw (VF).



ANSELMI

AN 141 3D FVZ 12/45

for unrebated 45 mm thick residential doors with 12 mm recessed frame facings up to 40 kg



hinge	recessed frame facings	up to 40 kg
--------------	-------------------------------	--------------------

Product features

- FVZ = recessed frame facings
- recessed frame facings up to 12.0 mm
- door thickness 45 mm
- completely concealed hinge system
- for timber and aluminium frames
- for unrebated residential doors
- 3D adjustable (side +/- 1.5 mm, height +/- 2.5 mm, compression +/- 1.0 mm)
- central installation
- material zamak / acetal

Technical details

load capacity	i 2 hinges per door leaf (900x2100 mm)	40.0 kg
overall length		130.0 mm
width (frame)		28.0 mm
width (door)		37.0 mm
cutter diameter		14.0 or 16.0 mm
collar ring diameter		25.0 or 27.0 mm
opening angle		180°

Finish

Satin Chrome (AN 014), Black (AN 018), Antique Bronze (AN 035), Aluminium Chrome (AN 036), Polished Brass (AN 037), Polished Chrome (AN 039), Satin Nickel (AN 044), RAL 9016 Traffic White (AN 049)

Note

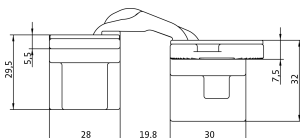
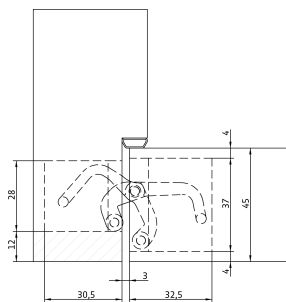
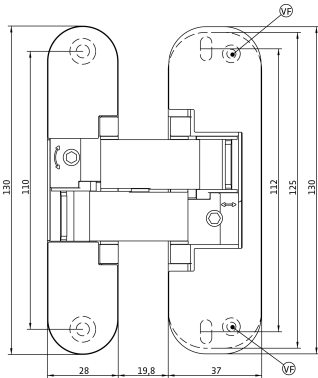
i The load capacity mentioned above refers to the use of 2 hinges per door leaf (900 x 2100 mm).

Suggested screws:

Frame side: Countersunk head screws DIN 7505 A, Diameter 5 mm

Door side: Pan head screws DIN 7505 B, Diameter 4 mm

If necessary, it is possible to lock the vertical adjustment of the hinge by means of a vertical adjustment screw (VF).



ANSELMI

AN 141 3D FVZ 14/40

for unrebeated 40 mm thick residential doors with 14 mm recessed frame facings up to 40 kg

hinge	recessed frame facings	up to 40 kg
-------	------------------------	-------------

Product features

- FVZ = recessed frame facings
- recessed frame facings up to 14.0 mm
- door thickness 40 mm
- completely concealed hinge system
- for timber and aluminium frames
- for unrebeated residential doors
- 3D adjustable (side +/- 1.5 mm, height +/- 2.5 mm, compression +/- 1.0 mm)
- central installation
- material zamak / acetal

Technical details

load capacity	i 2 hinges per door leaf (900x2100 mm)	40.0 kg
overall length		144.0 mm
width (frame)		30.0 mm
width (door)		30.0 mm
cutter diameter		14.0 or 16.0 mm
collar ring diameter		25.0 or 27.0 mm
opening angle		180°

Finish

Satin Chrome (AN 014), Black (AN 018), Antique Bronze (AN 035), Aluminium Chrome (AN 036), Polished Brass (AN 037), Polished Chrome (AN 039), Satin Nickel (AN 044), RAL 9016 Traffic White (AN 049)

Note

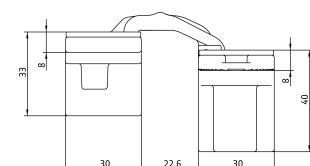
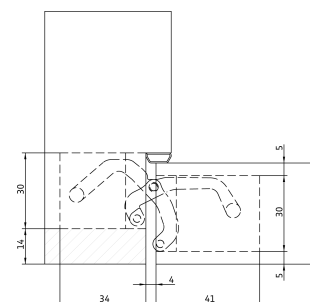
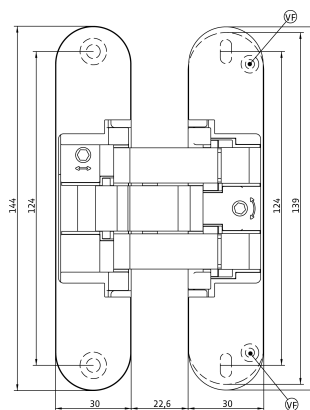
i The load capacity mentioned above refers to the use of 2 hinges per door leaf (900 x 2100 mm).

Suggested screws:

Frame side: Countersunk head screws DIN 7505 A, Diameter 5 mm

Door side: Pan head screws DIN 7505 B, Diameter 4 mm

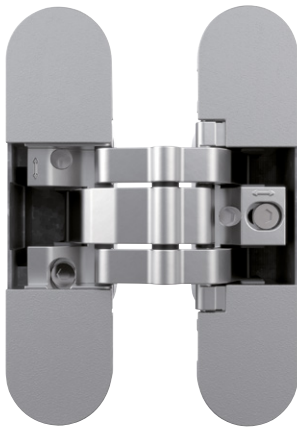
If necessary, it is possible to lock the vertical adjustment of the hinge by means of a vertical adjustment screw (VF).



ANSELMI

AN 141 3D FVZ 14/44

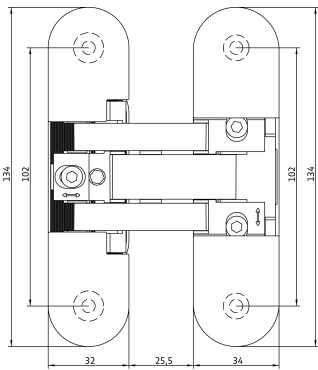
for unrebated 44 mm thick residential doors with 14 mm recessed frame facings up to 40 kg



hinge	recessed frame facings	up to 40 kg
-------	------------------------	-------------

Product features

- FVZ = recessed frame facings
- with recessed frame facings up to 14.0 mm
- door thickness 44 mm
- completely concealed hinge system
- for timber and aluminium frames
- for unrebated residential doors
- 3D adjustable (side +/- 1.0 mm, height +/- 1.5 mm, compression +/- 1.0 mm)
- central installation
- material zamak



Technical details

load capacity	i 2 hinges per door leaf (900x2100 mm)	40.0 kg
overall length		134.0 mm
width (frame)		32.0 mm
width (door)		34.0 mm
cutter diameter		14.0 or 16.0 mm
collar ring diameter		25.0 or 27.0 mm
opening angle		180°

Finish

Satin Chrome (AN 014), Black (AN 018), Polished Brass (AN 037), Polished Chrome (AN 039), Satin Nickel (AN 044), RAL 9016 Traffic White (AN 049)

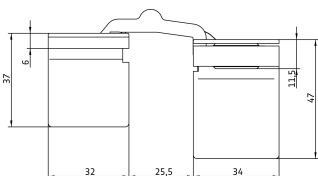
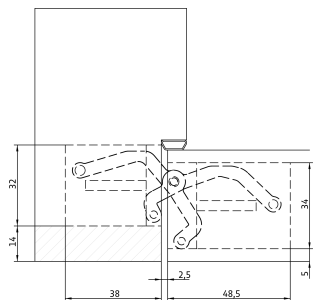
Note

i The load capacity mentioned above refers to the use of 2 hinges per door leaf (900 x 2100 mm).

Suggested screws:

Frame side: Countersunk head screws DIN 7505 A, Diameter 5 mm

Door side: Countersunk head screws DIN 7505 A, Diameter 5 mm



ANSELMI

AN 161 3D FVZ 12/38

for unrebeated 38 mm thick residential doors with 12 mm recessed frame facings up to 60 kg

hinge recessed frame facings up to 60 kg

Product features

- FVZ = recessed frame facings
- recessed frame facings up to 12.0 mm
- door thickness 38 mm
- completely concealed hinge system
- for timber and aluminium frames
- for unrebeated residential doors
- 3D adjustable (side +/- 1.5 mm, height +/- 2.5 mm, compression +/- 1.0 mm)
- central installation
- material zamak

Technical details

load capacity	i 2 hinges per door leaf (900x2100 mm)	60.0 kg
overall length		130.0 mm
width (frame)		28.0 mm
width (door)		30.0 mm
cutter diameter		14.0 or 16.0 mm
collar ring diameter		25.0 or 27.0 mm
opening angle		180°

Finish

Satin Chrome (AN 014), Black (AN 018), Antique Bronze (AN 035), Aluminium Chrome (AN 036), Polished Brass (AN 037), Polished Chrome (AN 039), Satin Nickel (AN 044), RAL 9016 Traffic White (AN 049)

Note

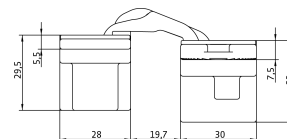
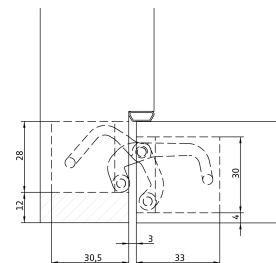
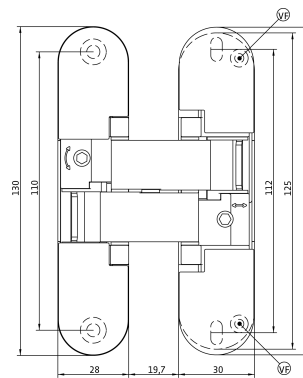
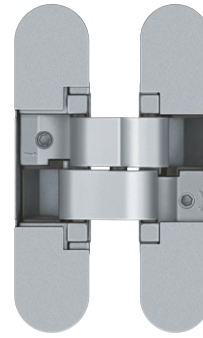
i The load capacity mentioned above refers to the use of 2 hinges per door leaf (900 x 2100 mm).

Suggested screws:

Frame side: Countersunk head screws DIN 7505 A, Diameter 5 mm

Door side: Pan head screws DIN 7505 B, Diameter 4 mm

If necessary, it is possible to lock the vertical adjustment of the hinge by means of a vertical adjustment screw (VF).



ANSELMI

AN 161 3D FVZ 12/45

for unrebated 45 mm thick residential doors with 12 mm recessed frame facings up to 60 kg



hinge	recessed frame facings	up to 60 kg
--------------	-------------------------------	--------------------

Product features

- FVZ = recessed frame facings
- recessed frame facings up to 12.0 mm
- door thickness 45 mm
- completely concealed hinge system
- for timber and aluminium frames
- for unrebated residential doors
- 3D adjustable (side +/- 1.5 mm, height +/- 2.5 mm, compression +/- 1.0 mm)
- central installation
- material zamak

Technical details

load capacity	i 2 hinges per door leaf (900x2100 mm)	60.0 kg
overall length		130.0 mm
width (frame)		28.0 mm
width (door)		37.0 mm
cutter diameter		14.0 or 16.0 mm
collar ring diameter		25.0 or 27.0 mm
opening angle		180°

Finish

Satin Chrome (AN 014), Black (AN 018), Antique Bronze (AN 035), Aluminium Chrome (AN 036), Polished Brass (AN 037), Polished Chrome (AN 039), Satin Nickel (AN 044), RAL 9016 Traffic White (AN 049)

Note

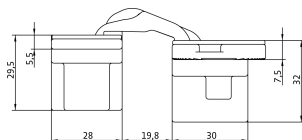
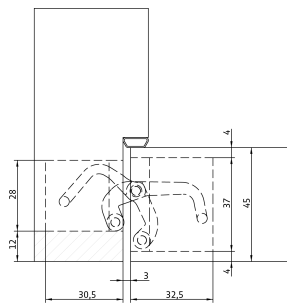
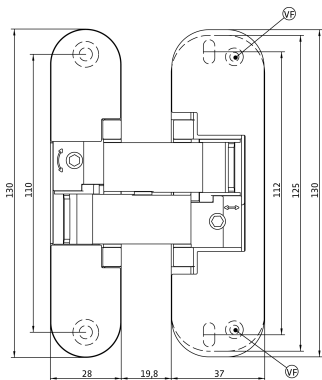
i The load capacity mentioned above refers to the use of 2 hinges per door leaf (900 x 2100 mm).

Suggested screws:

Frame side: Countersunk head screws DIN 7505 A, Diameter 5 mm

Door side: Pan head screws DIN 7505 B, Diameter 4 mm

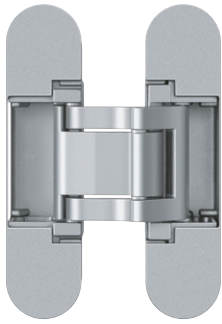
If necessary, it is possible to lock the vertical adjustment of the hinge by means of a vertical adjustment screw (VF).



ANSELMI

AN 164 3D FVZ 14/40

for unrebated 40 mm thick residential doors with 14 mm recessed frame facings up to 60 kg



hinge	recessed frame facings	up to 60 kg
--------------	-------------------------------	--------------------

Product features

- FVZ = recessed frame facings
- recessed frame facings up to 14.0 mm
- door thickness 40 mm
- completely concealed hinge system
- for timber and aluminium frames
- for unrebated residential doors
- 3D adjustable (side +/- 1.5 mm, height +/- 2.5 mm, compression +/- 1.0 mm)
- central installation
- material zamak / acetal

Technical details

load capacity	i 2 hinges per door leaf (900x2100 mm)	60.0 kg
overall length		125.0 mm
width (frame)		30.0 mm
width (door)		30.0 mm
cutter diameter		16.0 mm
collar ring diameter		27.0 mm
opening angle		180°

Finish

Satin Chrome (AN 014), Black (AN 018), Satin Nickel (AN 044), RAL 9016 Traffic White (AN 049), other finishes available upon request

Note

i The load capacity mentioned above refers to the use of 2 hinges per door leaf (900 x 2100 mm).

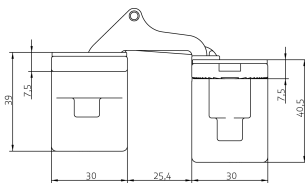
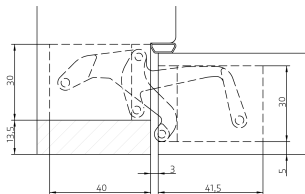
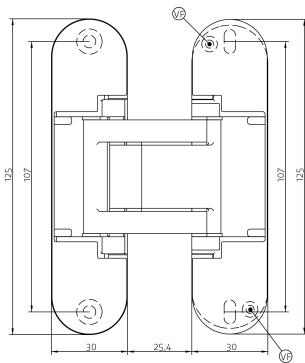
Suggested screws:

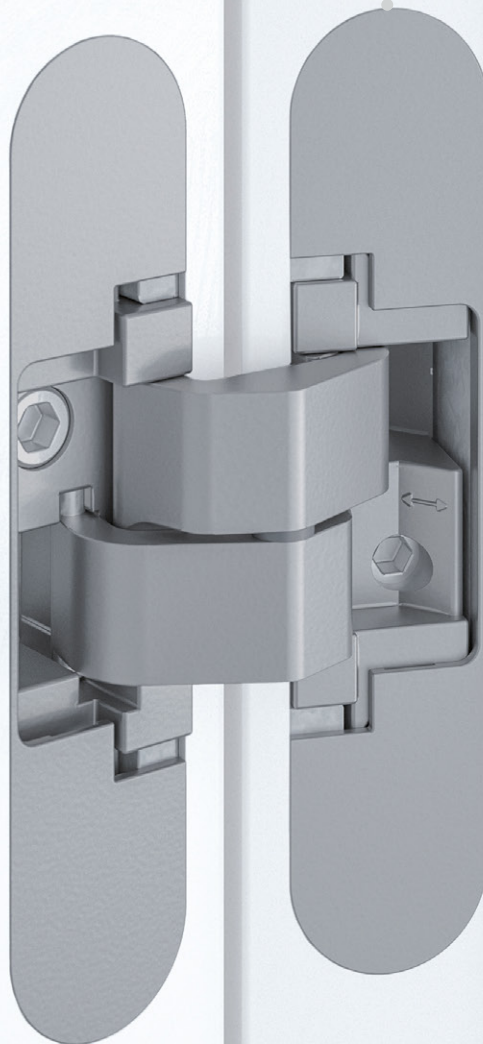
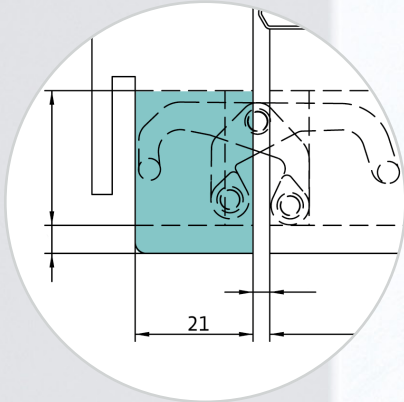
Frame side: Countersunk head screws DIN 7505 A, Diameter 5 mm

Door side: Pan head screws DIN 7505 B, Diameter 4 mm

If necessary, it is possible to lock the vertical adjustment of the hinge by means of a vertical adjustment screw (VF).

Alternatively, the routing can be carried out with a cutter diameter of 14.0 mm and a collar ring diameter of 25.0 mm.





Model versions for doors with reduced frame milling

- reduced hinge frame part
- versions for aluminium framed doors
- load capacities up to 60 kg
- opening angle 180°

ANSELMI

AN 150 3D

for unrebated residential doors with 21 mm reduced hinge frame part up to 40 kg



hinge	21 mm hinge frame part	up to 40 kg
-------	------------------------	-------------

Product features

- reduced hinge frame part 21 mm
- completely concealed hinge system
- for timber and aluminium frames
- for unrebated residential doors
- 3D adjustable (side +/- 1.5 mm, height +/- 2.5 mm, compression +/- 1.0 mm)
- material zamak / acetal

Technical details

load capacity	i 2 hinges per door leaf (900x2100 mm)	40.0 kg
overall length		110.0 mm
width (frame)		24.0 mm
width (door)		24.0 mm
cutter diameter		14.0 or 16.0 mm
collar ring diameter		25.0 or 27.0 mm
opening angle		180°

Finish

Satin Chrome (AN 014), Black (AN 018), Antique Bronze (AN 035), Aluminium Chrome (AN 036), Polished Brass (AN 037), Polished Chrome (AN 039), Satin Nickel (AN 044), RAL 9016 Traffic White (AN 049)

Combination

receiver	casing frame	AN 140 3D FZ
----------	--------------	--------------

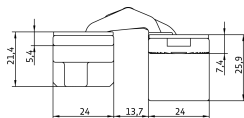
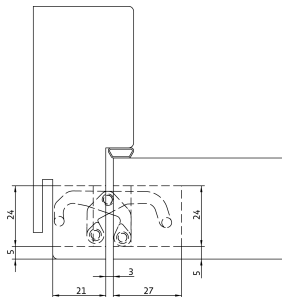
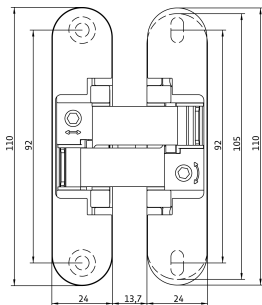
Note

i The load capacity mentioned above refers to the use of 2 hinges per door leaf (900 x 2100 mm).

Suggested screws:

Frame side: Countersunk head screws DIN 7505 A, Diameter 4.5 mm

Door side: Pan head screws DIN 7505 B, Diameter 4.5 mm



ANSELMI

AN 150 3D ALU

for unrebutted residential doors with aluminium frames and 21 mm reduced hinge frame part up to 40 kg

hinge	21 mm hinge frame part	up to 40 kg
-------	------------------------	-------------

Product features

- reduced hinge frame part 21 mm
- completely concealed hinge system
- for timber and aluminium frames
- for unrebutted residential doors with aluminium frames
- 3D adjustable (side +/- 1.5 mm, height +/- 1.5 mm, compression +/- 1.0 mm)
- material zamak / acetal

Technical details

load capacity	i 2 hinges per door leaf (900x2100 mm)	40.0 kg
overall length		110.0 mm
width (frame)		24.0 mm
width (door)		24.0 mm
cutter diameter		14.0 or 16.0 mm
collar ring diameter		25.0 or 27.0 mm
opening angle		180°

Finish

Satin Chrome (AN 014), Black (AN 018), Antique Bronze (AN 035), Aluminium Chrome (AN 036), Polished Brass (AN 037), Polished Chrome (AN 039), Satin Nickel (AN 044), RAL 9016 Traffic White (AN 049)

Combination

receiver	casing frame	AN 140 3D FZ
----------	--------------	--------------

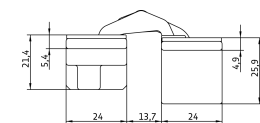
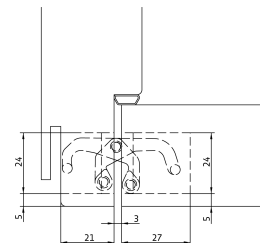
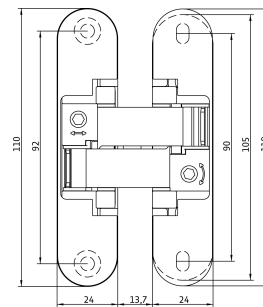
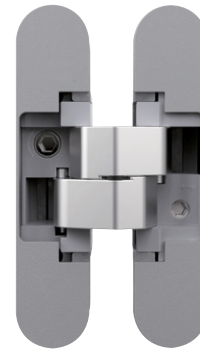
Note

i The load capacity mentioned above refers to the use of 2 hinges per door leaf (900 x 2100 mm).

Suggested screws:

Frame side: Countersunk head screws DIN 7505 A, Diameter 4.5 mm

Door side: Countersunk head screws DIN 7505 A, Diameter 4.5 mm



ANSELMI

AN 150 3D 28

for flush rebated 28 mm residential doors with 20 mm reduced hinge frame part up to 40 kg



hinge	20 mm hinge frame part	up to 40 kg
--------------	-------------------------------	--------------------

Product features

- reduced hinge frame part 20 mm
- door thickness 28 mm
- completely concealed hinge system
- for timber and aluminium frames
- for flush rebated residential doors
- 3D adjustable (side +/- 1.5 mm, height +/- 2.5 mm, compression +/- 1.0 mm)
- central installation
- material zamak

Technical details

load capacity	i 2 hinges per door leaf (900x2100 mm)	40.0 kg
overall length		110.0 mm
width (frame part)		23.0 mm
width (door part)		20.0 mm
cutter diameter		14.0 or 16.0 mm
collar ring diameter		25.0 or 27.0 mm
opening angle		180 °

Finish

Satin Chrome (AN 014), Black (AN 018), Antique Bronze (AN 035), Aluminium Chrome (AN 036), Polished Brass (AN 037), Polished Chrome (AN 039), Satin Nickel (AN 044), RAL 9016 Traffic White (AN 049)

Combination

receiver	casing frame	AN 140 3D FZ
----------	--------------	--------------

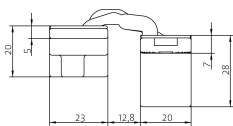
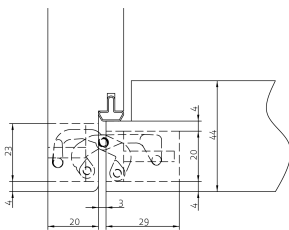
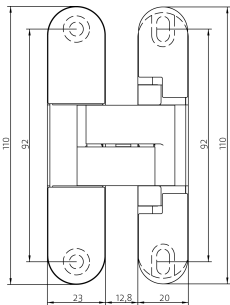
Note

i The load capacity mentioned above refers to the use of 2 hinges per door leaf (900 x 2100 mm).

Suggested screws:

Frame side: Countersunk head screws DIN 7505 A, Diameter 4.5 mm

Door side: Pan head screws DIN 7505 B, Diameter 4.5 mm



ANSELMI

AN 150 3D 40

for unrebeated 40 mm residential doors with central installation and 21 mm reduced hinge frame part up to 40 kg

hinge	21 mm hinge frame part	up to 40 kg
-------	------------------------	-------------

Product features

- reduced hinge frame part 21 mm
- door thickness 40 mm
- completely concealed hinge system
- for timber and aluminium frames
- for unrebeated residential doors
- 3D adjustable (side +/- 1.5 mm, height +/- 2.5 mm, compression +/- 1.0 mm)
- central installation
- material zamak / acetal

Technical details

load capacity	i 2 hinges per door leaf (900x2100 mm)	40.0 kg
overall length		110.0 mm
width (frame)		24.0 mm
width (door)		30.0 mm
cutter diameter		14.0 or 16.0 mm
collar ring diameter		25.0 or 27.0 mm
opening angle		180°

Finish

Satin Chrome (AN 014), Black (AN 018), Antique Bronze (AN 035), Aluminium Chrome (AN 036), Polished Brass (AN 037), Polished Chrome (AN 039), Satin Nickel (AN 044), RAL 9016 Traffic White (AN 049)

Combination

receiver	casing frame	AN 140 3D FZ
----------	--------------	--------------

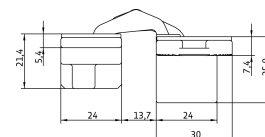
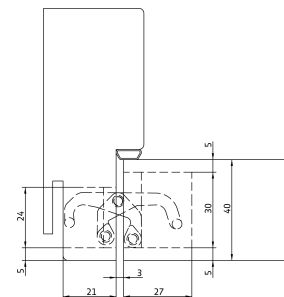
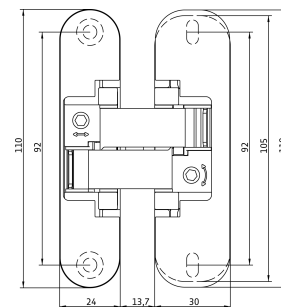
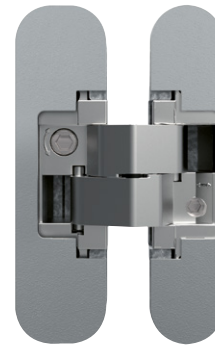
Note

i The load capacity mentioned above refers to the use of 2 hinges per door leaf (900 x 2100 mm).

Suggested screws:

Frame side: Countersunk head screws DIN 7505 A, Diameter 4.5 mm

Door side: Pan head screws DIN 7505 B, Diameter 4.5 mm



ANSELMI

AN 150 3D 44

for unrebated 44 mm residential doors with central installation and 21 mm reduced hinge frame part up to 40 kg

hinge	21 mm hinge frame part	up to 40 kg
--------------	-------------------------------	--------------------

Product features

- reduced hinge frame part 21 mm
- door thickness 44 mm
- completely concealed hinge system
- for timber and aluminium frames
- for unrebated residential doors
- 3D adjustable (side +/- 1.5 mm, height +/- 2.5 mm, compression +/- 1.0 mm)
- central installation
- material zamak / acetal

Technical details

load capacity	i 2 hinges per door leaf (900x2100 mm)	40.0 kg
overall length		110.0 mm
width (frame)		24.0 mm
width (door)		34.0 mm
cutter diameter		14.0 or 16.0 mm
collar ring diameter		25.0 or 27.0 mm
opening angle		180°

Finish

Satin Chrome (AN 014), Black (AN 018), Antique Bronze (AN 035), Aluminium Chrome (AN 036), Polished Brass (AN 037), Polished Chrome (AN 039), Satin Nickel (AN 044), RAL 9016 Traffic White (AN 049)

Combination

receiver	casing frame	AN 140 3D FZ
----------	--------------	--------------

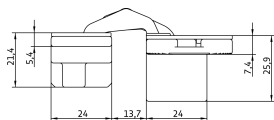
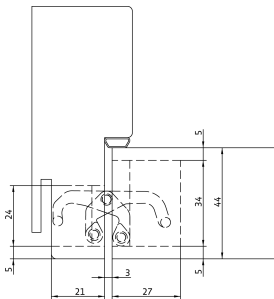
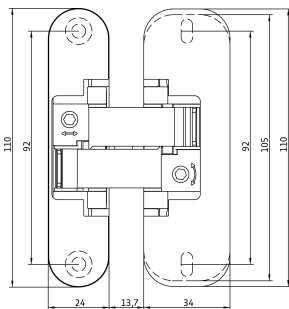
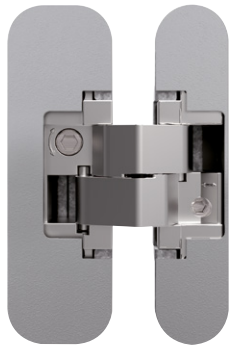
Note

i The load capacity mentioned above refers to the use of 2 hinges per door leaf (900 x 2100 mm).

Suggested screws:

Frame side: Countersunk head screws DIN 7505 A, Diameter 4.5 mm

Door side: Pan head screws DIN 7505 B, Diameter 4.5 mm



ANSELMI

AN 170 3D


for unrebated residential doors with 21 mm reduced hinge frame part up to 60 kg

hinge	21 mm hinge frame part	up to 60 kg
-------	------------------------	-------------

Product features

- reduced hinge frame part 21 mm
- completely concealed hinge system
- for timber and aluminium frames
- for unrebated residential doors
- 3D adjustable (side +/- 1.5 mm, height +/- 2.5 mm, compression +/- 1.0 mm)
- material zamak

Technical details

load capacity	 2 hinges per door leaf (900x2100 mm)	60.0 kg
overall length		110.0 mm
width (frame)		24.0 mm
width (door)		24.0 mm
cutter diameter		14.0 or 16.0 mm
collar ring diameter		25.0 or 27.0 mm
opening angle		180°


Finish

Rustic Umber (AN 012), Satin Chrome (AN 014), Light Bronze (AN 016), Black (AN 018), Antique Bronze (AN 035), Aluminium Chrome (AN 036), Polished Brass (AN 037), Polished Chrome (AN 039), Satin Nickel (AN 044), RAL 9016 Traffic White (AN 049), Anthracite (AN 050), Medium Bronze (AN 051), Copper (AN 052)

Combination

receiver	casing frame	AN 140 3D FZ
----------	--------------	--------------

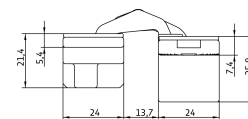
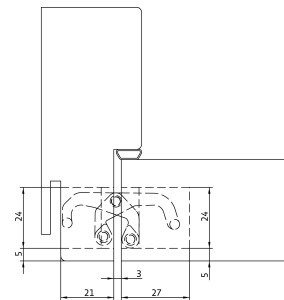
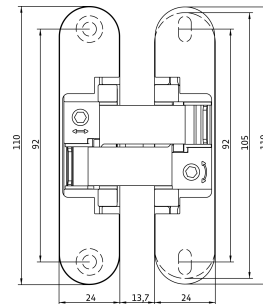
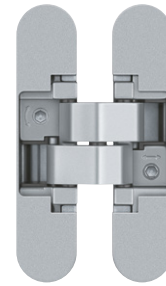
Note

 The load capacity mentioned above refers to the use of 2 hinges per door leaf (900 x 2100 mm).

Suggested screws:

Frame side: Countersunk head screws DIN 7505 A, Diameter 4.5 mm

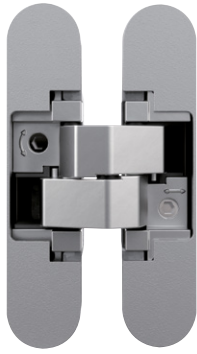
Door side: Pan head screws DIN 7505 B, Diameter 4.5 mm



ANSELMI

AN 170 3D ALU

for unrebbated residential doors with aluminium frames and 21 mm reduced hinge frame part up to 60 kg



hinge	21 mm hinge frame part	up to 60 kg
--------------	-------------------------------	--------------------

Product features

- reduced hinge frame part 21 mm
- completely concealed hinge system
- for timber and aluminium frames
- for unrebbated residential doors with aluminium frames
- 3D adjustable (side +/- 1.5 mm, height +/- 1.5 mm, compression +/- 1.0 mm)
- material zamak

Technical details

load capacity	i 2 hinges per door leaf (900x2100 mm)	60.0 kg
overall length		110.0 mm
width (frame)		24.0 mm
width (door)		24.0 mm
cutter diameter		14.0 or 16.0 mm
collar ring diameter		25.0 or 27.0 mm
opening angle		180°

Finish

Satin Chrome (AN 014), Black (AN 018), Antique Bronze (AN 035), Aluminium Chrome (AN 036), Polished Brass (AN 037), Polished Chrome (AN 039), Satin Nickel (AN 044), RAL 9016 Traffic White (AN 049)

Combination

receiver	casing frame	AN 140 3D FZ
----------	--------------	--------------

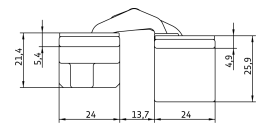
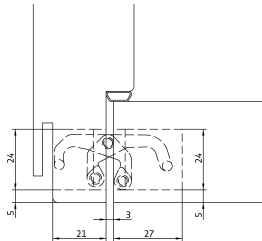
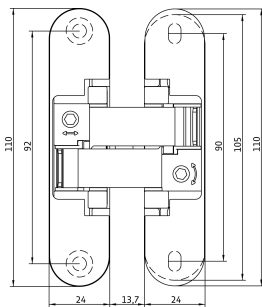
Note

i The load capacity mentioned above refers to the use of 2 hinges per door leaf (900 x 2100 mm).

Suggested screws:

Frame side: Countersunk head screws DIN 7505 A, Diameter 4.5 mm

Door side: Countersunk head screws DIN 7505 A, Diameter 4.5 mm



ANSELMI

AN 170 3D 40

for unrebated 40 mm residential doors with central installation and 21 mm reduced hinge frame part up to 60 kg

hinge	21 mm hinge frame part	up to 60 kg
-------	------------------------	-------------

Product features

- reduced hinge frame part 21 mm
- door thickness 40 mm
- for timber and aluminium frames
- completely concealed hinge system
- for unrebated residential doors
- 3D adjustable (side +/- 1.5 mm, height +/- 2.5 mm, compression +/- 1.0 mm)
- central installation
- material zamak

Technical details

load capacity	i 2 hinges per door leaf (900x2100 mm)	60.0 kg
overall length		110.0 mm
width (frame)		24.0 mm
width (door)		30.0 mm
cutter diameter		14.0 or 16.0 mm
collar ring diameter		25.0 or 27.0 mm
opening angle		180°

Finish

Satin Chrome (AN 014), Black (AN 018), Antique Bronze (AN 035), Aluminium Chrome (AN 036), Polished Brass (AN 037), Polished Chrome (AN 039), Satin Nickel (AN 044), RAL 9016 Traffic White (AN 049)

Combination

receiver	casing frame	AN 140 3D FZ
----------	--------------	--------------

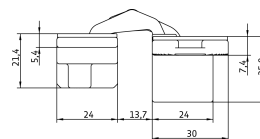
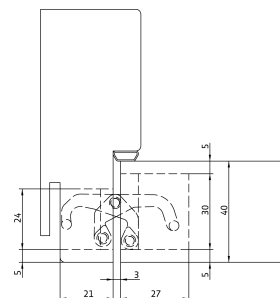
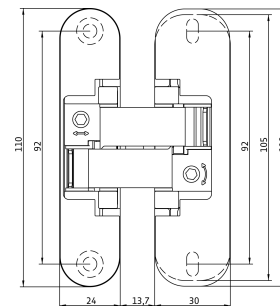
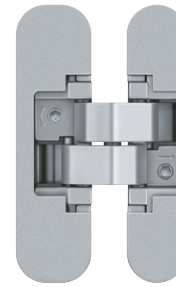
Note

i The load capacity mentioned above refers to the use of 2 hinges per door leaf (900 x 2100 mm).

Suggested screws:

Frame side: Countersunk head screws DIN 7505 A, Diameter 4.5 mm

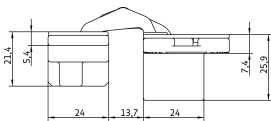
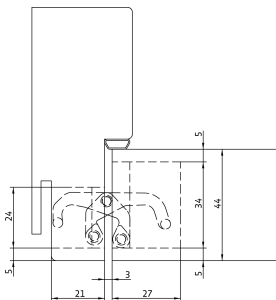
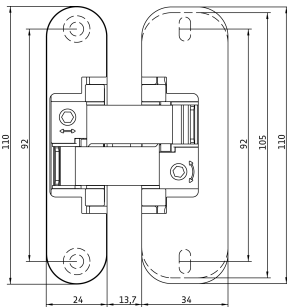
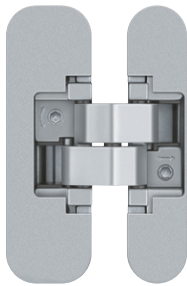
Door side: Pan head screws DIN 7505 B, Diameter 4.5 mm



ANSELMI

AN 170 3D 44

for unrebated 44 mm residential doors with central installation and 21 mm reduced hinge frame part up to 60 kg



hinge	21 mm hinge frame part	up to 60 kg
-------	------------------------	-------------

Product features

- reduced hinge frame part 21 mm
- door thickness 44 mm
- completely concealed hinge system
- for timber and aluminium frames
- for unrebated residential doors
- 3D adjustable (side +/- 1.5 mm, height +/- 2.5 mm, compression +/- 1.0 mm)
- central installation
- material zamak

Technical details

load capacity	i 2 hinges per door leaf (900x2100 mm)	60.0 kg
overall length		110.0 mm
width (frame)		24.0 mm
width (door)		34.0 mm
cutter diameter		14.0 or 16.0 mm
collar ring diameter		25.0 or 27.0 mm
opening angle		180°

Finish

Satin Chrome (AN 014), Black (AN 018), Antique Bronze (AN 035), Aluminium Chrome (AN 036), Polished Brass (AN 037), Polished Chrome (AN 039), Satin Nickel (AN 044), RAL 9016 Traffic White (AN 049)

Combination

receiver	casing frame	AN 140 3D FZ
----------	--------------	--------------

Note

i The load capacity mentioned above refers to the use of 2 hinges per door leaf (900 x 2100 mm).

Suggested screws:

Frame side: Countersunk head screws DIN 7505 A, Diameter 4.5 mm

Door side: Pan head screws DIN 7505 B, Diameter 4.5 mm

ANSELMI

AN 172 3D

for unrebeated 38-45 mm residential doors with 21 mm reduced hinge frame part up to 60 kg and claddings up to 4 mm

hinge **21 mm hinge frame part** **up to 60 kg**

Product features

- reduced hinge frame part 21 mm
- door thickness 38-45 mm
- possible installation of claddings up to 4 mm
- completely concealed hinge system
- for timber and aluminium frames
- for unrebeated residential doors
- 3D adjustable (side +/- 1.5 mm, height +/- 2.5 mm, compression +1/-0,5 mm)
- material zamak

Technical details

load capacity	i 2 hinges per door leaf (900x2100 mm)	60.0 kg
overall length		125.0 mm
width (frame)		30.0 mm
width (door)		30.0 mm
cutter diameter		14.0 or 16.0 mm
collar ring diameter		25.0 or 27.0 mm
opening angle		180°

Finish

Rustic Umber (AN 012), Satin Chrome (AN 014), Light Bronze (AN 016), Black (AN 018), Antique Bronze (AN 035), Aluminium Chrome (AN 036), Polished Brass (AN 037), Polished Chrome (AN 039), Satin Nickel (AN 044), RAL 9016 Traffic White (AN 049), Anthracite (AN 050), Medium Bronze (AN 051), Copper (AN 052)

Note

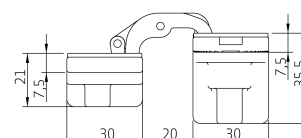
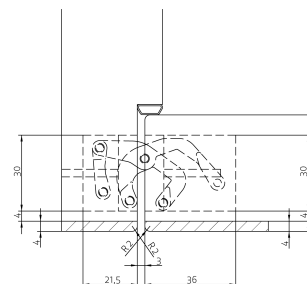
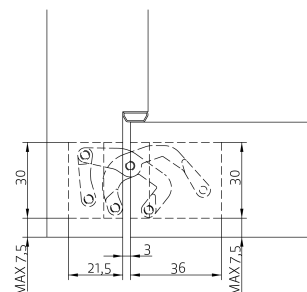
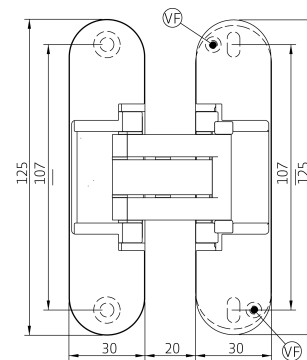
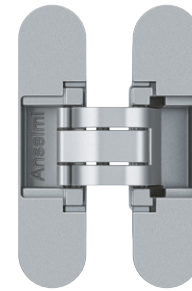
i The load capacity mentioned above refers to the use of 2 hinges per door leaf (900 x 2100 mm).

Suggested screws:

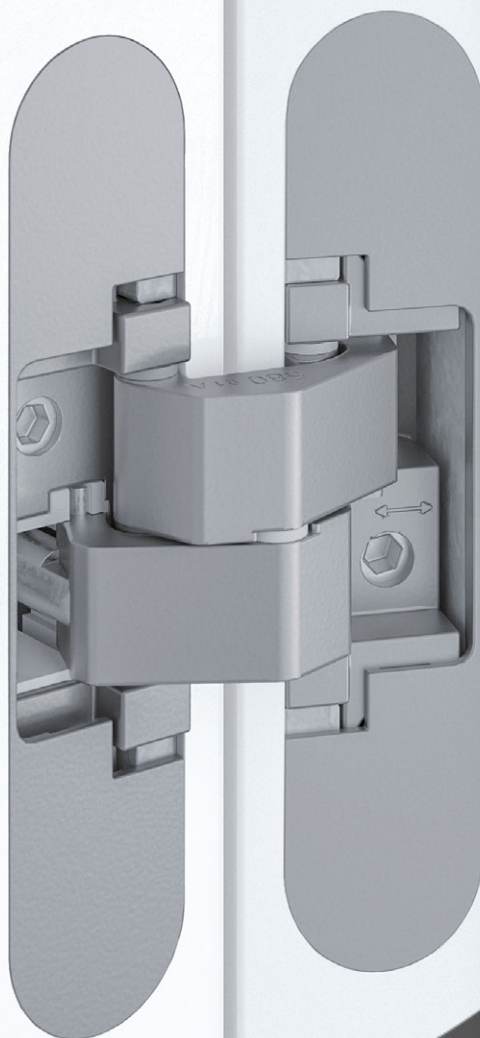
Frame side: Countersunk head screws DIN 7505 A, Diameter 4.5 mm

Door side: Pan head screws DIN 7505 B, Diameter 4.5 mm

If necessary, it is possible to lock the vertical adjustment of the hinge by means of a vertical adjustment fixing screw (VF).







Hinge system AN 108 3D SC45

Model versions with integrated closing function

- self closing hinge system
- version with integrated damping function
- closing power up to 60 kg
- adjustable closing power when door is installed

ANSELMI

AN 107 3D C40

with integrated self closing function for unrebated residential doors

hinge	unrebated	up to 40 kg
-------	-----------	-------------

Product features

- self closing hinge system
- closing power from 20 kg up to 40 kg
- completely concealed hinge system
- for timber and aluminium frames
- for unrebated residential doors
- adjustable closing power when door is installed
- material zamak /steel

Technical details

overall length	110.0 mm
width (frame part)	24.0 mm
width (door part)	24.0 mm
cutter diameter	14.0 or 16.0 mm
collar ring diameter	25.0 or 27.0 mm
opening angle	180 °

Finishes

Satin Chrome (AN 014), Black (AN 018), Antique Bronze (AN 035), Aluminium Chrome (AN 036), Polished Brass (AN 037), Polished Chrome (AN 039), Satin Nickel (AN 044), RAL 9016 Traffic White (AN 049)

Combination

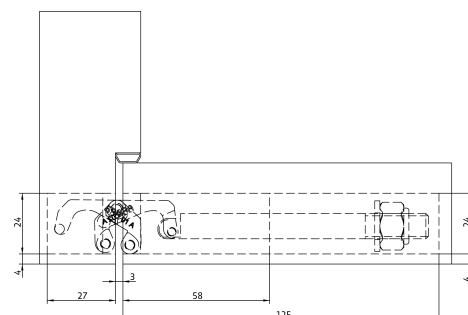
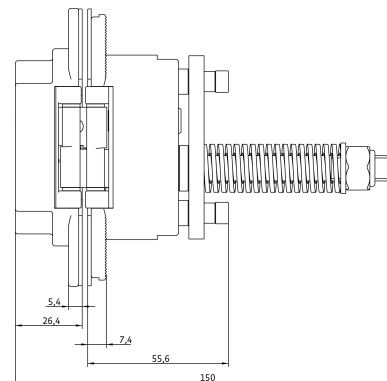
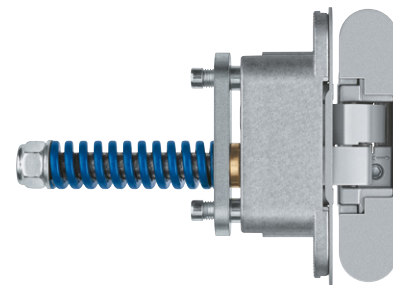
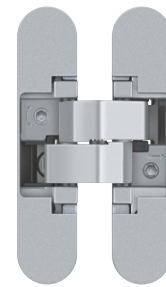
hinge	AN 140 3D
	AN 160 3D
receiver	casing frame AN 140 3D FZ

Note

i The closing power mentioned above refers to the use of one self closing hinge per door leaf (900 x 2100 mm).

The self closing hinge has to be used only in combination with the given hinges and has to be installed at half the height of the door leaf, approximately at the same height of the lock (magnetic lock recommended).

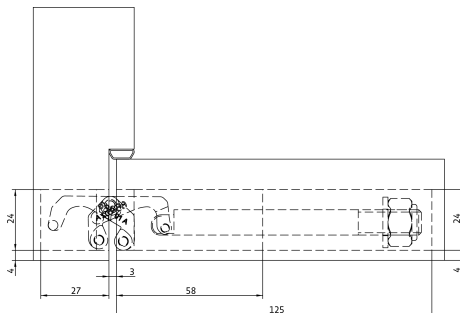
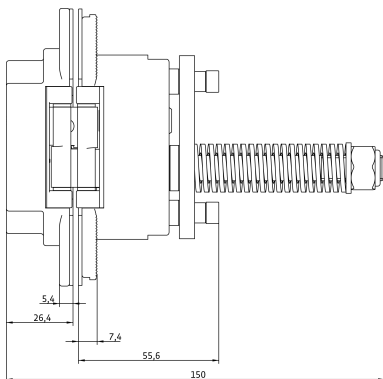
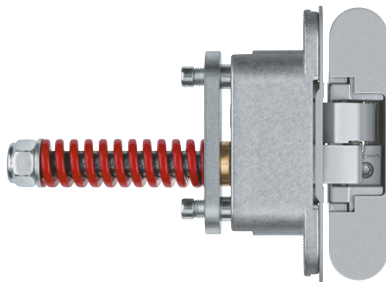
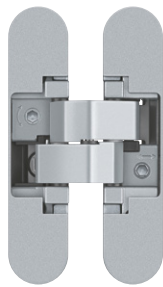
The installation on doors subject to specific norms has to be verified by the customer according to the national law.



ANSELMI

AN 107 3D C60

with integrated self closing function for unrebated residential doors



hinge	unrebated	up to 60 kg
-------	-----------	-------------

Product features

- self closing hinge system
- closing power from 40 kg up to 60 kg
- completely concealed hinge system
- for timber and aluminium frames
- for unrebated residential doors
- adjustable closing power when door is installed
- material zamak /steel

Technical details

overall length	110.0 mm
width (frame part)	24.0 mm
width (door part)	24.0 mm
cutter diameter	14.0 or 16.0 mm
collar ring diameter	25.0 or 27.0 mm
opening angle	180 °

Finishes

Satin Chrome (AN 014), Black (AN 018), Antique Bronze (AN 035), Aluminium Chrome (AN 036), Polished Brass (AN 037), Polished Chrome (AN 039), Satin Nickel (AN 044), RAL 9016 Traffic White (AN 049)

Combination

hinge	AN 160 3D
	AN 180 3D
receiver	casing frame AN 140 3D FZ

Note

i The closing power mentioned above refers to the use of one self closing hinge per door leaf (900 x 2100 mm).

The self closing hinge has to be used only in combination with the given hinges and has to be installed at half the height of the door leaf, approximately at the same height of the lock (magnetic lock recommended).

The installation on doors subject to specific norms has to be verified by the customer according to the national law.

ANSELMI

AN 108 3D SC45

with integrated self closing and damping function for unrebated residential doors

hinge	unrebated	up to 45 kg
-------	-----------	-------------

Product features

- self closing hinge system with integrated damping function
- closing power up to 45 kg
- completely concealed hinge system
- for timber and aluminium frames
- for unrebated residential doors
- adjustable closing power when door is installed
- material zamak /steel

Technical details

overall length	110.0 mm
width (frame part)	24.0 mm
width (door part)	24.0 mm
cutter diameter	14.0 or 16.0 mm
collar ring diameter	25.0 or 27.0 mm
opening angle	180 °

Finishes

Satin Chrome (AN 014), Black (AN 018), Antique Bronze (AN 035), Aluminium Chrome (AN 036), Polished Brass (AN 037), Polished Chrome (AN 039), Satin Nickel (AN 044), RAL 9016 Traffic White (AN 049)

Combination

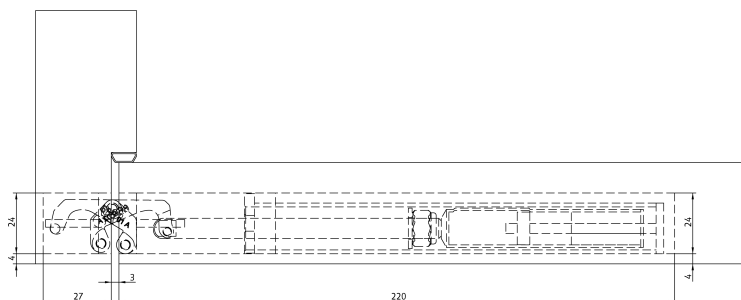
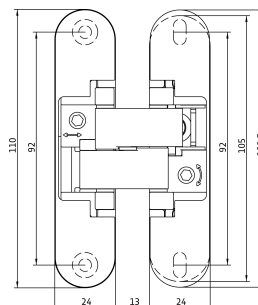
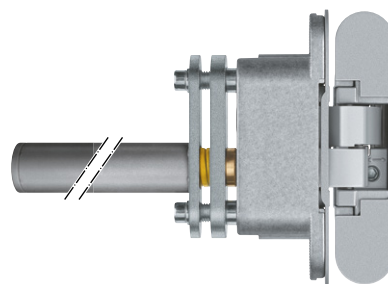
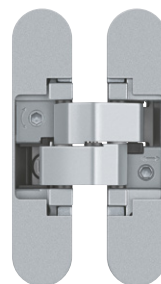
hinge		AN 140 3D
		AN 160 3D
receiver	casing frame	AN 140 3D FZ

Note

i The closing power mentioned above refers to the use of one self closing hinge per door leaf (900 x 2100 mm).

The self closing hinge has to be used only in combination with the given hinges and has to be installed at half the height of the door leaf, approximately at the same height of the lock (magnetic lock recommended).

The installation on doors subject to specific norms has to be verified by the customer according to the national law.

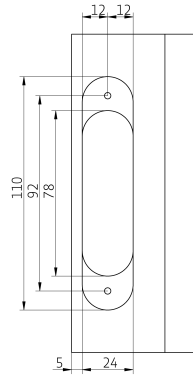


Routing data

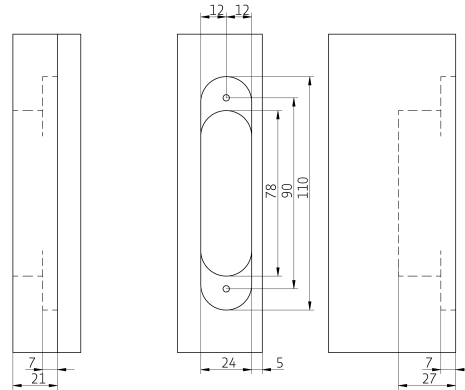
AN 130 2D

Conduct routing with cutter \varnothing 14 mm and collar ring \varnothing 25 mm or with cutter \varnothing 16 mm and collar ring \varnothing 27 mm.

Milling frame



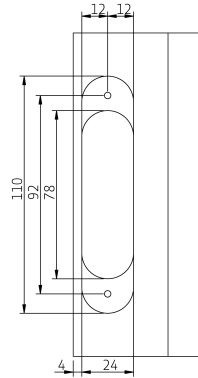
Milling door



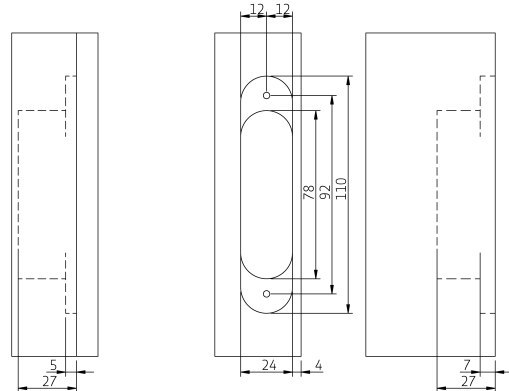
AN 140 3D

Conduct routing with cutter \varnothing 14 mm and collar ring \varnothing 25 mm or with cutter \varnothing 16 mm and collar ring \varnothing 27 mm.

Milling frame



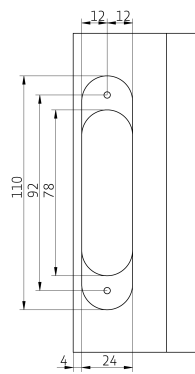
Milling door



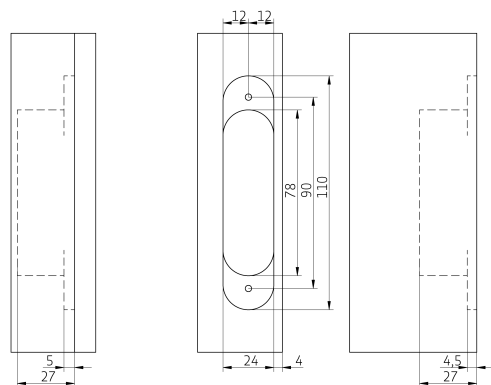
AN 140 3D ALU

Conduct routing with cutter \varnothing 14 mm and collar ring \varnothing 25 mm or with cutter \varnothing 16 mm and collar ring \varnothing 27 mm.

Milling frame

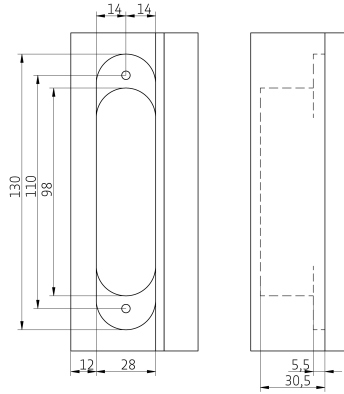


Milling door

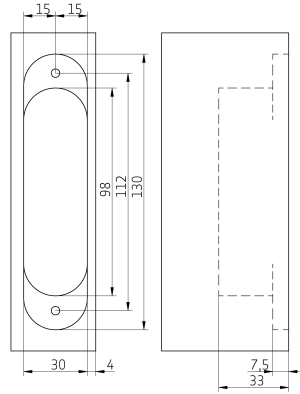


Routing data

Milling
frame



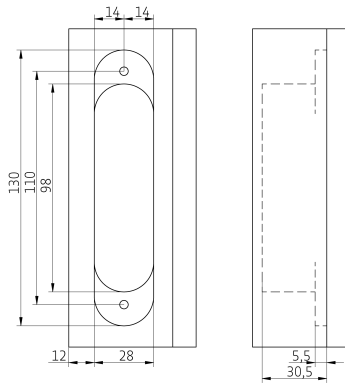
Milling
door



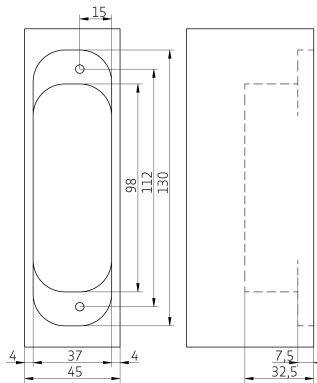
AN 141 3D FVZ 12/38

Conduct routing with cutter \varnothing 14 mm and collar ring \varnothing 25 mm or with cutter \varnothing 16 mm and collar ring \varnothing 27 mm.

Milling
frame



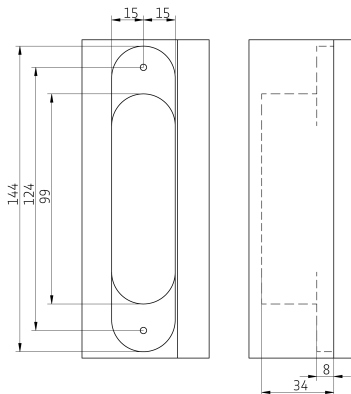
Milling
door



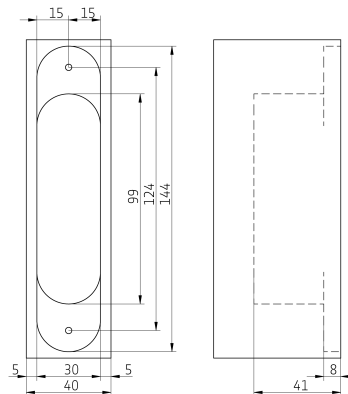
AN 141 3D FVZ 12/45

Conduct routing with cutter \varnothing 14 mm and collar ring \varnothing 25 mm or with cutter \varnothing 16 mm and collar ring \varnothing 27 mm.

Milling
frame



Milling
door



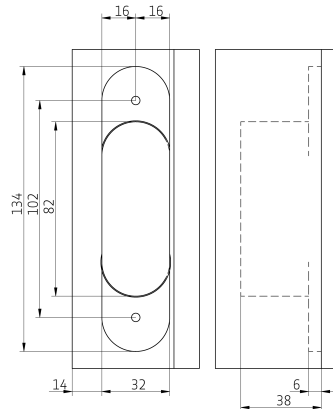
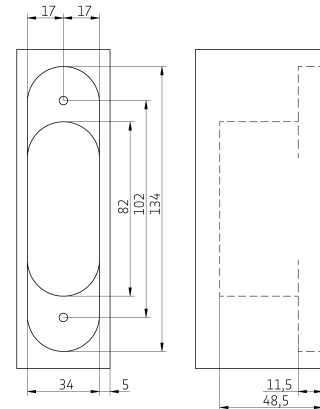
AN 141 3D FVZ 14/40

Conduct routing with cutter \varnothing 14 mm and collar ring \varnothing 25 mm or with cutter \varnothing 16 mm and collar ring \varnothing 27 mm.

Routing data

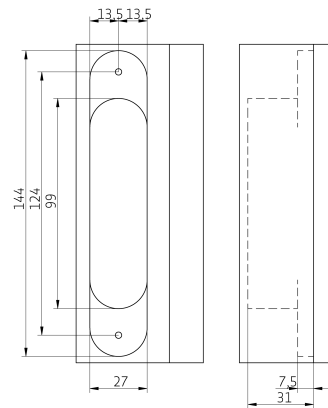
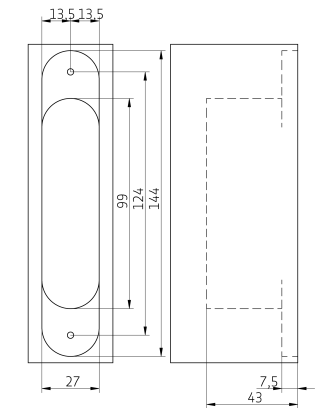
AN 141 3D FVZ 14/44

Conduct routing with cutter \varnothing 14 mm and collar ring \varnothing 25 mm or with cutter \varnothing 16 mm and collar ring \varnothing 27 mm.

Milling
frameMilling
door

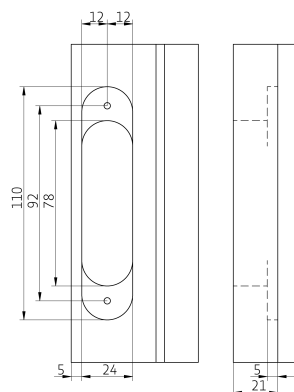
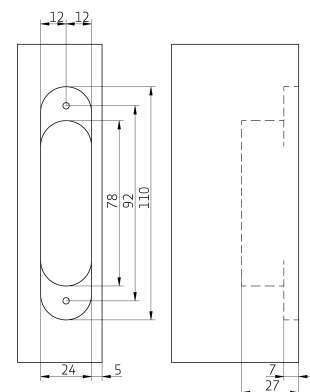
AN 142 3D

Conduct routing with cutter \varnothing 14 mm and collar ring \varnothing 25 mm or with cutter \varnothing 16 mm and collar ring \varnothing 27 mm.

Milling
frameMilling
door

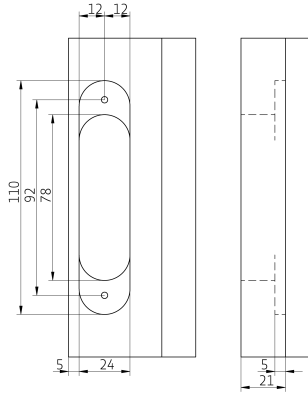
AN 150 3D

Conduct routing with cutter \varnothing 14 mm and collar ring \varnothing 25 mm or with cutter \varnothing 16 mm and collar ring \varnothing 27 mm.

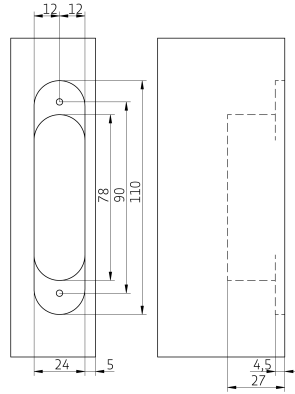
Milling
frameMilling
door

Routing data

Milling
frame



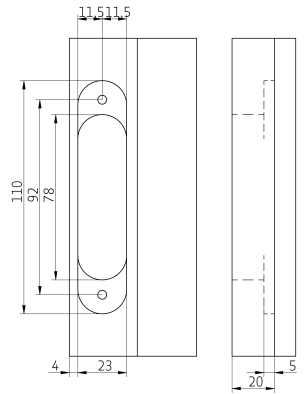
Milling
door



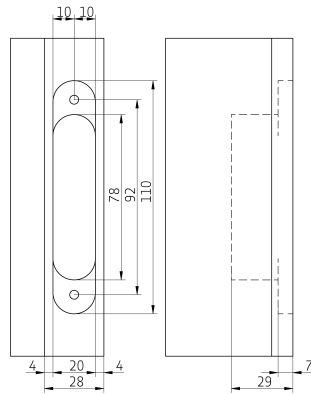
AN 150 3D ALU

Conduct routing with cutter \varnothing 14 mm and collar ring \varnothing 25 mm or with cutter \varnothing 16 mm and collar ring \varnothing 27 mm.

Milling
frame



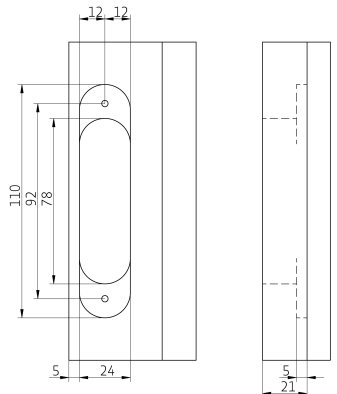
Milling
door



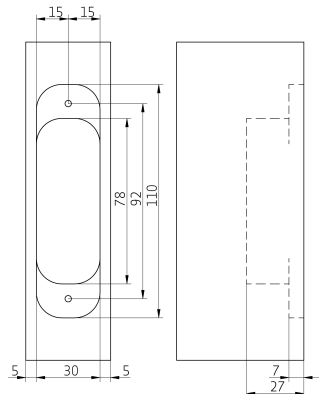
AN 150 3D 28

Conduct routing with cutter \varnothing 14 mm and collar ring \varnothing 25 mm or with cutter \varnothing 16 mm and collar ring \varnothing 27 mm.

Milling
frame



Milling
door



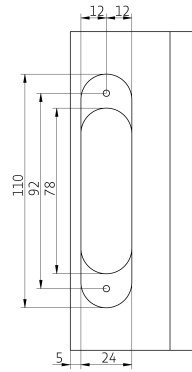
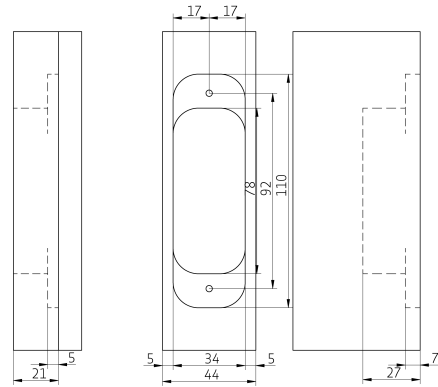
AN 150 3D 40

Conduct routing with cutter \varnothing 14 mm and collar ring \varnothing 25 mm or with cutter \varnothing 16 mm and collar ring \varnothing 27 mm.

Routing data

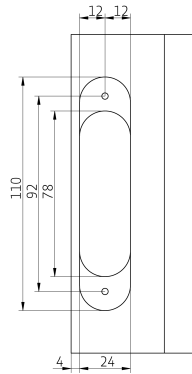
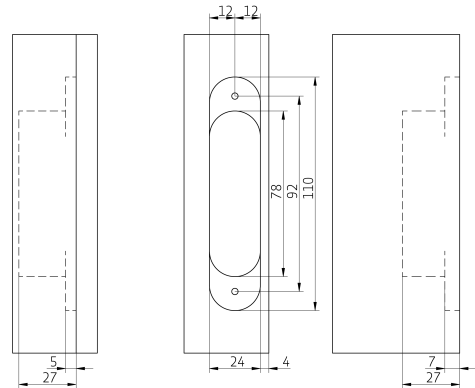
AN 150 3D 44

Conduct routing with cutter \varnothing 14 mm and collar ring \varnothing 25 mm or with cutter \varnothing 16 mm and collar ring \varnothing 27 mm.

Milling
frameMilling
door

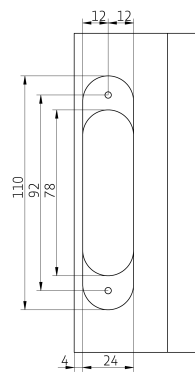
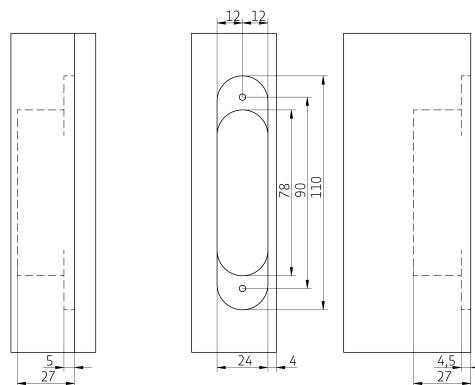
AN 160 3D

Conduct routing with cutter \varnothing 14 mm and collar ring \varnothing 25 mm or with cutter \varnothing 16 mm and collar ring \varnothing 27 mm.

Milling
frameMilling
door

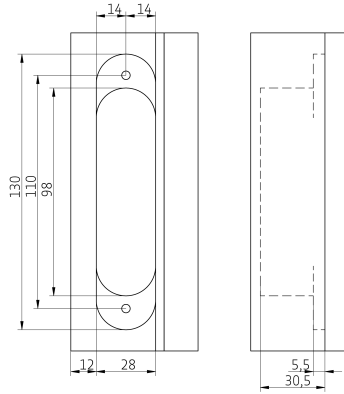
AN 160 3D ALU

Conduct routing with cutter \varnothing 14 mm and collar ring \varnothing 25 mm or with cutter \varnothing 16 mm and collar ring \varnothing 27 mm.

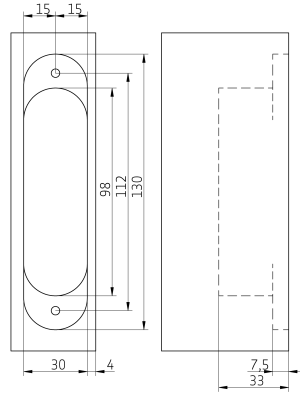
Milling
frameMilling
door

Routing data

Milling
frame



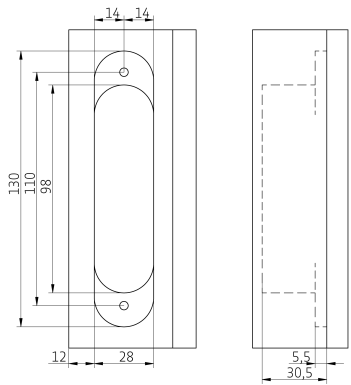
Milling
door



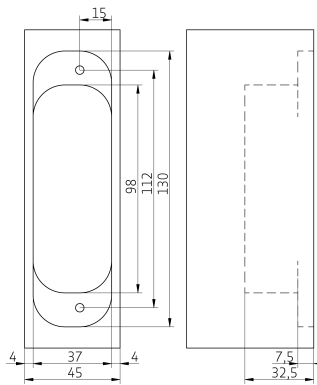
AN 161 3D FVZ 12/38

Conduct routing with cutter \varnothing 14 mm and collar ring \varnothing 25 mm or with cutter \varnothing 16 mm and collar ring \varnothing 27 mm.

Milling
frame



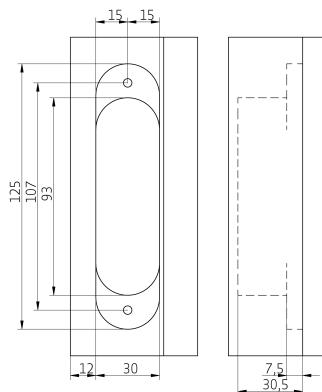
Milling
door



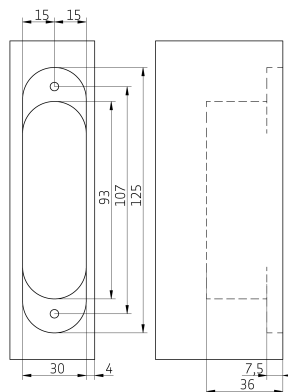
AN 161 3D FVZ 12/45

Conduct routing with cutter \varnothing 14 mm and collar ring \varnothing 25 mm or with cutter \varnothing 16 mm and collar ring \varnothing 27 mm.

Milling
frame



Milling
door



AN 164 3D FVZ 12/38

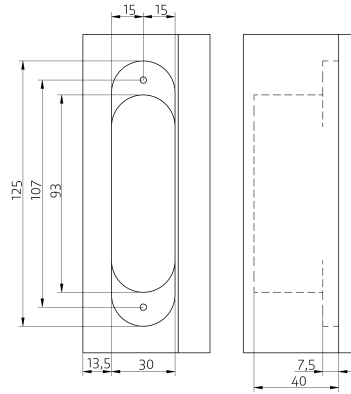
Conduct routing with cutter \varnothing 14 mm and collar ring \varnothing 25 mm or with cutter \varnothing 16 mm and collar ring \varnothing 27 mm.

Routing data

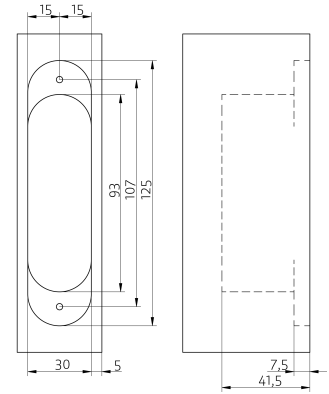
AN 164 3D FVZ 14/40

Conduct routing with cutter \varnothing 14 mm and collar ring \varnothing 25 mm or with cutter \varnothing 16 mm and collar ring \varnothing 27 mm.

Milling frame



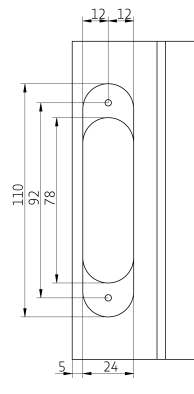
Milling door



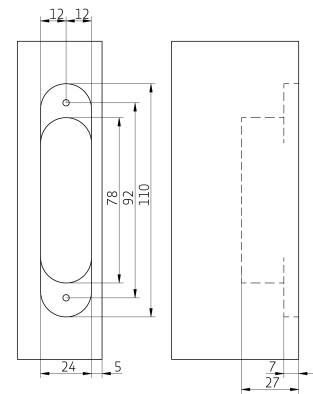
AN 170 3D

Conduct routing with cutter \varnothing 14 mm and collar ring \varnothing 25 mm or with cutter \varnothing 16 mm and collar ring \varnothing 27 mm.

Milling frame



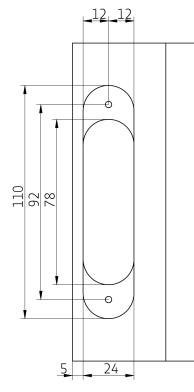
Milling door



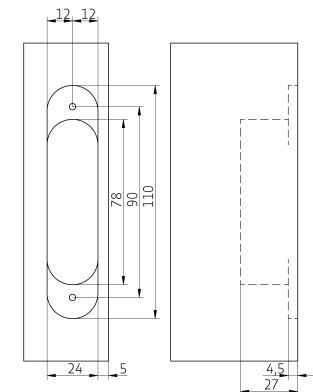
AN 170 3D ALU

Conduct routing with cutter \varnothing 14 mm and collar ring \varnothing 25 mm or with cutter \varnothing 16 mm and collar ring \varnothing 27 mm.

Milling frame

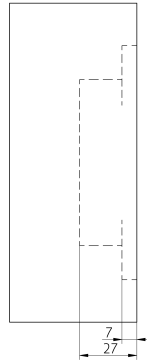
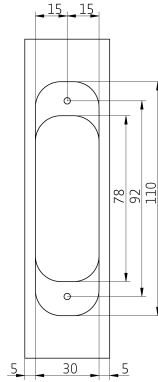
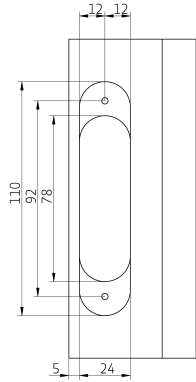


Milling door



Routing data

Milling
frame

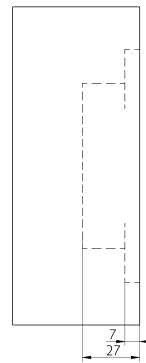
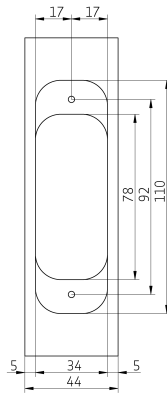
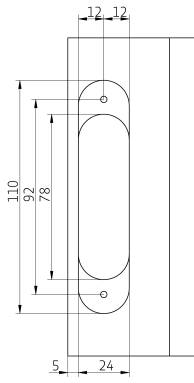


Milling
door

AN 170 3D 40

Conduct routing with cutter \varnothing 14 mm and collar ring \varnothing 25 mm or with cutter \varnothing 16 mm and collar ring \varnothing 27 mm.

Milling
frame

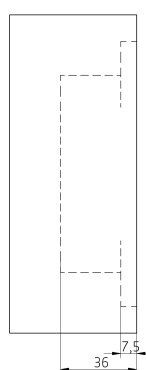
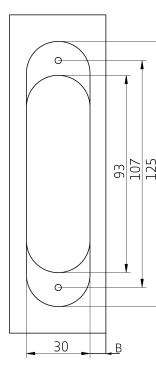
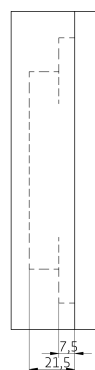
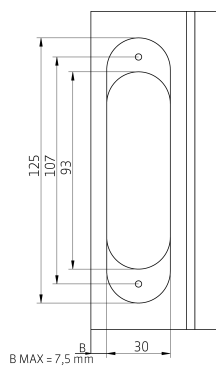


Milling
door

AN 170 3D 44

Conduct routing with cutter \varnothing 14 mm and collar ring \varnothing 25 mm or with cutter \varnothing 16 mm and collar ring \varnothing 27 mm.

Milling
frame



Milling
door

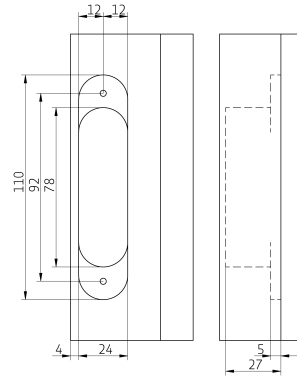
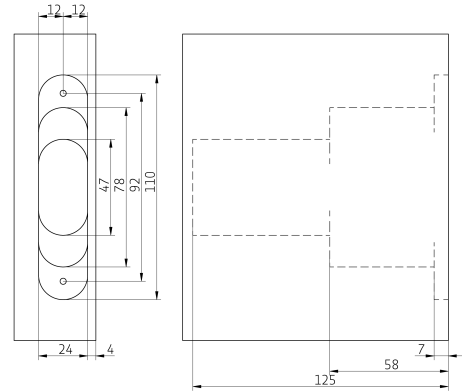
AN 172 3D

Conduct routing with cutter \varnothing 14 mm and collar ring \varnothing 25 mm or with cutter \varnothing 16 mm and collar ring \varnothing 27 mm.

Routing data

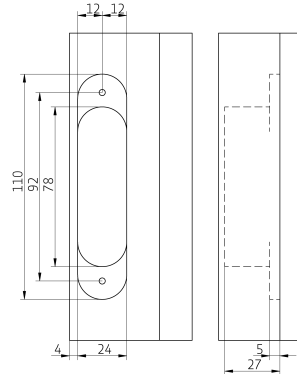
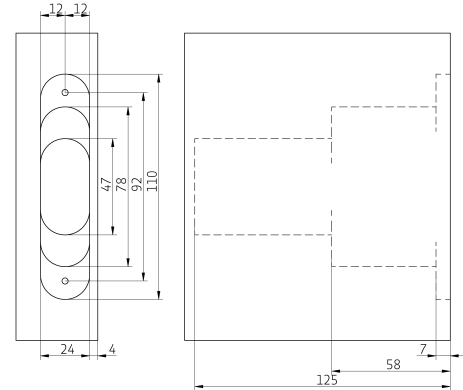
AN 107 3D C40

Conduct routing with cutter \varnothing 14 mm and collar ring \varnothing 25 mm or with cutter \varnothing 16 mm and collar ring \varnothing 27 mm.

Milling
frameMilling
door

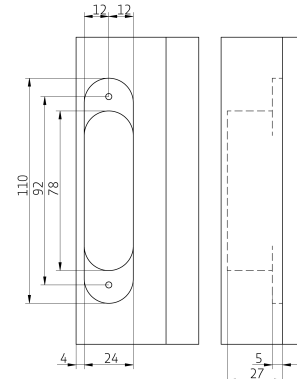
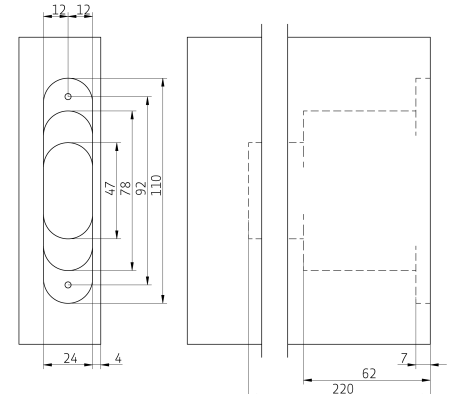
AN 107 3D C60

Conduct routing with cutter \varnothing 14 mm and collar ring \varnothing 25 mm or with cutter \varnothing 16 mm and collar ring \varnothing 27 mm.

Milling
frameMilling
door

AN 108 3D SC45

Conduct routing with cutter \varnothing 14 mm and collar ring \varnothing 25 mm or with cutter \varnothing 16 mm and collar ring \varnothing 27 mm.

Milling
frameMilling
door

Application Accessories

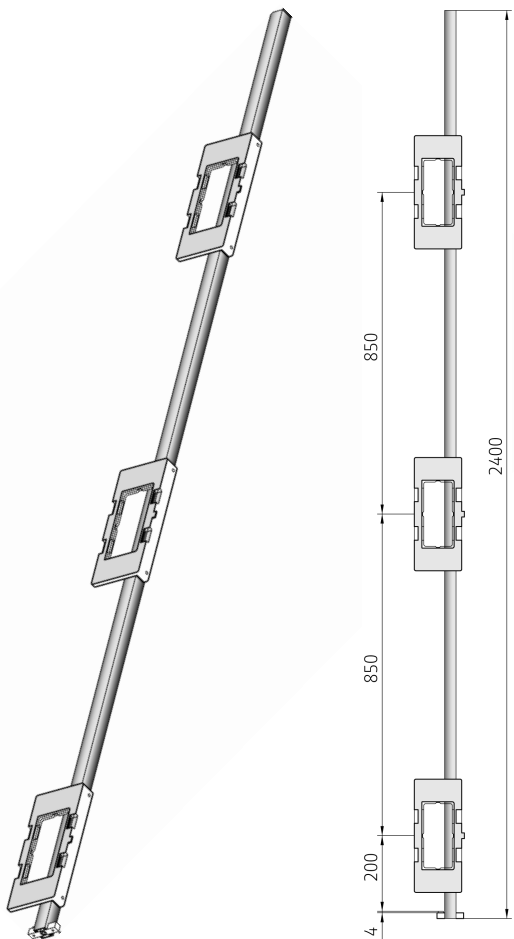
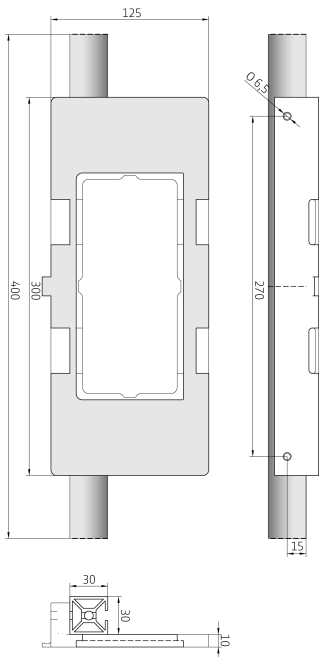
Universal single milling frame

as well fitting installation aid for ANSELM I templates

accessories

Note

Available with and without clamps. Templates need be ordered separately.



Universal triple milling frame

as well fitting installation aid for ANSELM I templates

accessories

Note

Available with and without clamps. Templates need be ordered separately.

Application Accessories

Template double

for precise routings in conjunction with ANSELM I jig technique

accessories

Technical details

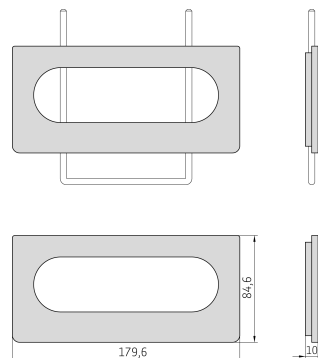
cutter diameter	14.0 or 16.0 mm
collar ring diameter	25.0 or 27.0 mm

Combination

hinge	AN 141 3D FVZ 14/44
-------	---------------------

Note

All indicated dimensions of angle and rail are just standards which may vary on the actual measurements depending on the construction. Where applicable, a trial routing is recommended.



Template single

for precise routings in conjunction with ANSELM I jig technique

accessories

Technical details

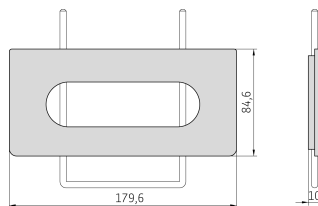
cutter diameter	14.0 or 16.0 mm
collar ring diameter	25.0 or 27.0 mm

Combination

hinge	AN 140 3D
	AN 140 3D ALU
	AN 160 3D
	AN 160 3D ALU
	AN 180 3D
	AN 130 2D
	AN 150 3D
	AN 150 3D ALU

Note

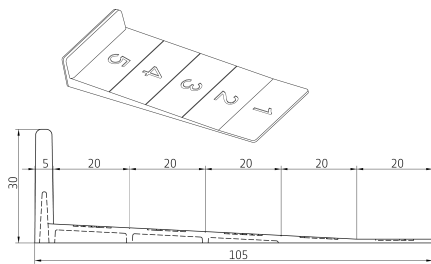
All indicated dimensions of angle and rail are just standards which may vary on the actual measurements depending on the construction. Where applicable, a trial routing is recommended.



Accessories

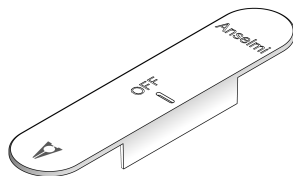
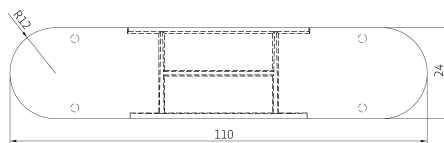
Door height adjustment wedge

as tool to ease the adjustment of the door height from 1 mm up to 5 mm



Disposable/varnishable frame hole cover

to protect the hinge seat during the installation of the frame



Note

The frame hole cover is especially indicated when the frames (usually aluminium frames) are installed on the building site several weeks or months before the doors are produced. The cover will protect the hinge seat from dust, cement, paint etc. and when the door will arrive on site the installation will result easier.

The use of this frame hole cover requires a special hinge packaging. Please contact us for further information.

Finishes

Please note: The colours of the finishes shown may differ from the original.
More finishes upon request.



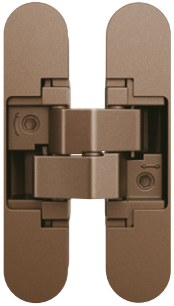
Anthracite
(AN 050)



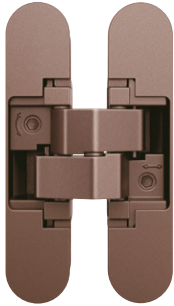
Black
(AN 018)



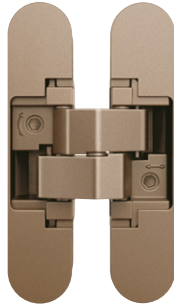
Rustic Umber
(AN 012)



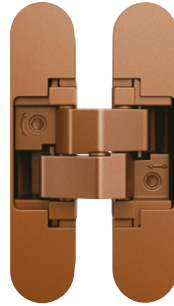
Antique Bronze
(AN 035)



Medium Bronze
(AN 051)



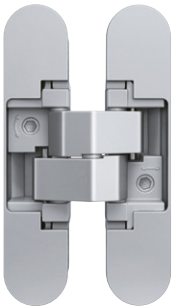
Light Bronze
(AN 016)



Copper
(AN 052)



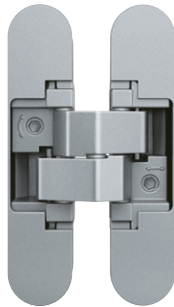
Polished Brass
(AN 037)



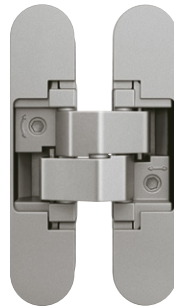
Aluminium Chrome
(AN 036)



Polished Chrome
(AN 039)



Satin Chrome
(AN 014)



Satin Nickel
(AN 044)



RAL 9016
Traffic White
(AN 049)

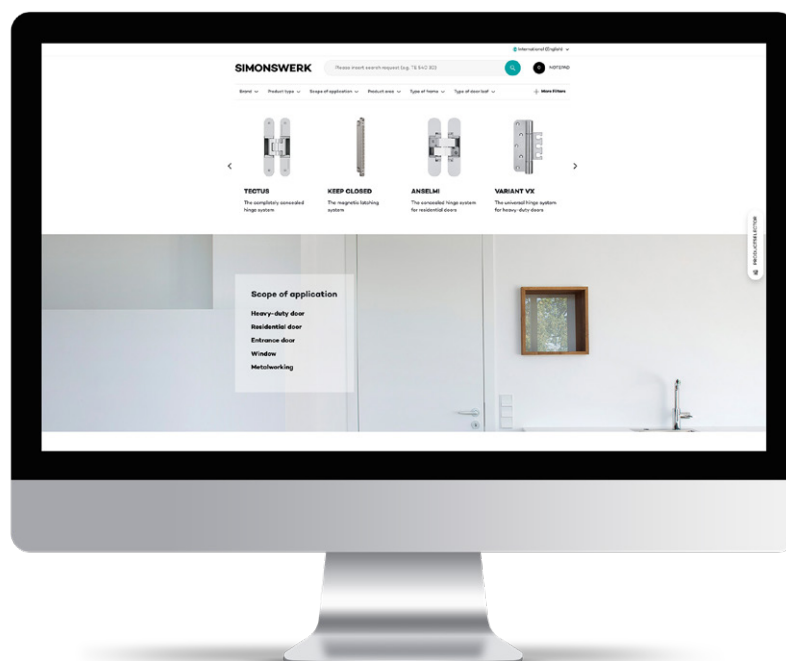
Service – comprehensive expertise for your daily work

We are happy to provide you with all the documentation you need to determine the most suitable hinge system for your building project. Please contact us: we would be delighted to work with you to choose the best solution – from high-quality standard elements right up to the most complex solutions.

All our brochures and data sheets can be requested in a printed version, or you can simply download them on the spot.

Our friendly and knowledgeable application engineers will be pleased to help you and advise you.

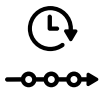
www.simonswerk.com



SIMONSWERK GROUP – excellence in product and service

As an internationally operating group of companies, the SIMONSWERK GROUP is the global market leader for premium hinge systems. With over 900 employees worldwide, we stand for the highest quality standards, constant willingness to innovate and long-lasting customer relationships.

The SIMONSWERK brand combines the entire expertise in hinge systems and unites technical know-how with design standards at the highest level. In addition to innovative product solutions, we offer our customers the best service exactly where it is needed. From personal customer consultations and competent training courses to customised delivery and logistics processes or digital service tools.



Over 130 years of experience

The perfect foundation for continuous growth with experience



Internationally successful

As the market leader, we are constantly expanding our know-how



Over 900 employees worldwide

Every single employee shapes the vision of the SIMONSWERK GROUP



Focused product solutions

With high-quality hinge systems for heavy-duty, residential and entrance doors, we offer product solutions for all applications and materials

For our customers and partners

As SIMONSWERK GROUP, we are active in a variety of business models. Both in the construction project business and in cooperation with door manufacturers as well as with hardware dealers and processors, we develop perfect solutions, depending on individual market needs. We will provide our customers and decision-makers with the best possible support as a partner in accordance with their various requirements.



SIMONSWERK

ANSELMI

The concealed hinge system for residential doors

SIMONSWERK GmbH

Bosfelder Weg 5
33378 Rheda-Wiedenbrück
Germany

+49 5242 4130

info@simonswerk.de

www.simonswerk.de

Member of the

**SIMONSWERK
GROUP**

© SIMONSWERK GmbH
08/2024, 5 800538 0 00001/1.0
Subject to technical modifications.

